

Fig. 1

MXXX1111W

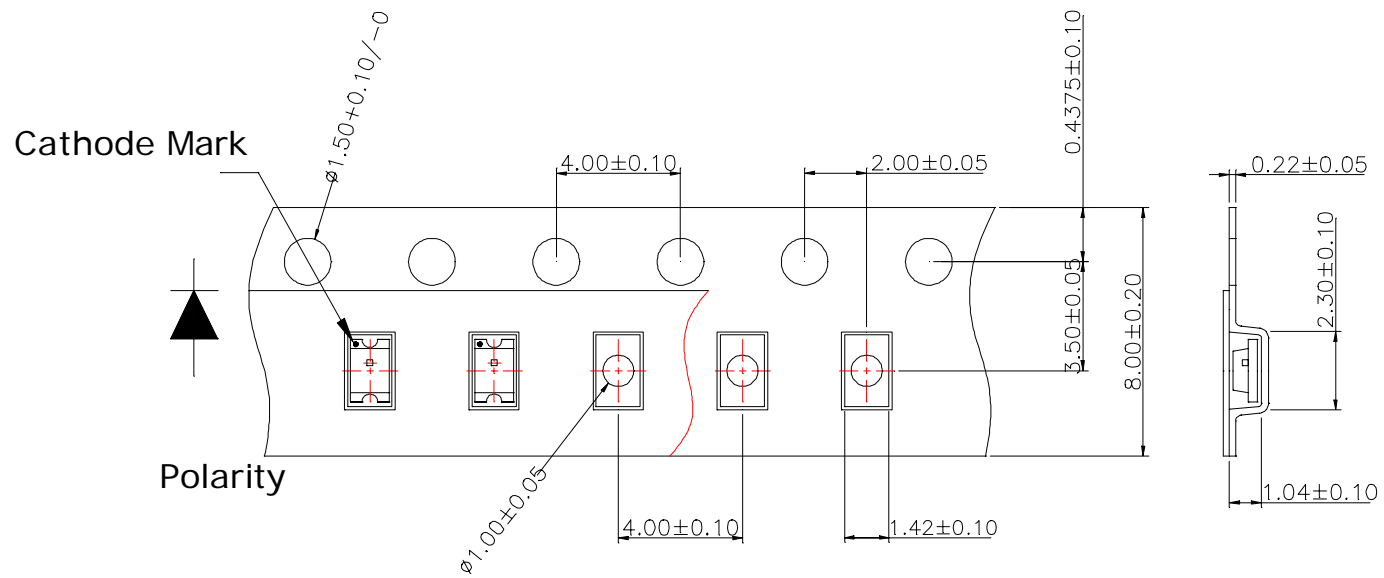
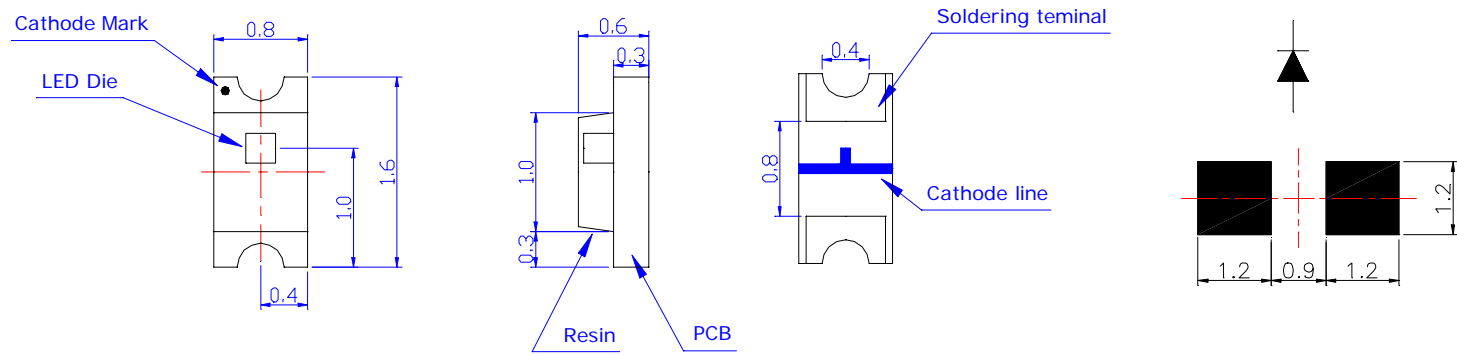


Fig. 2

MXXX2111H

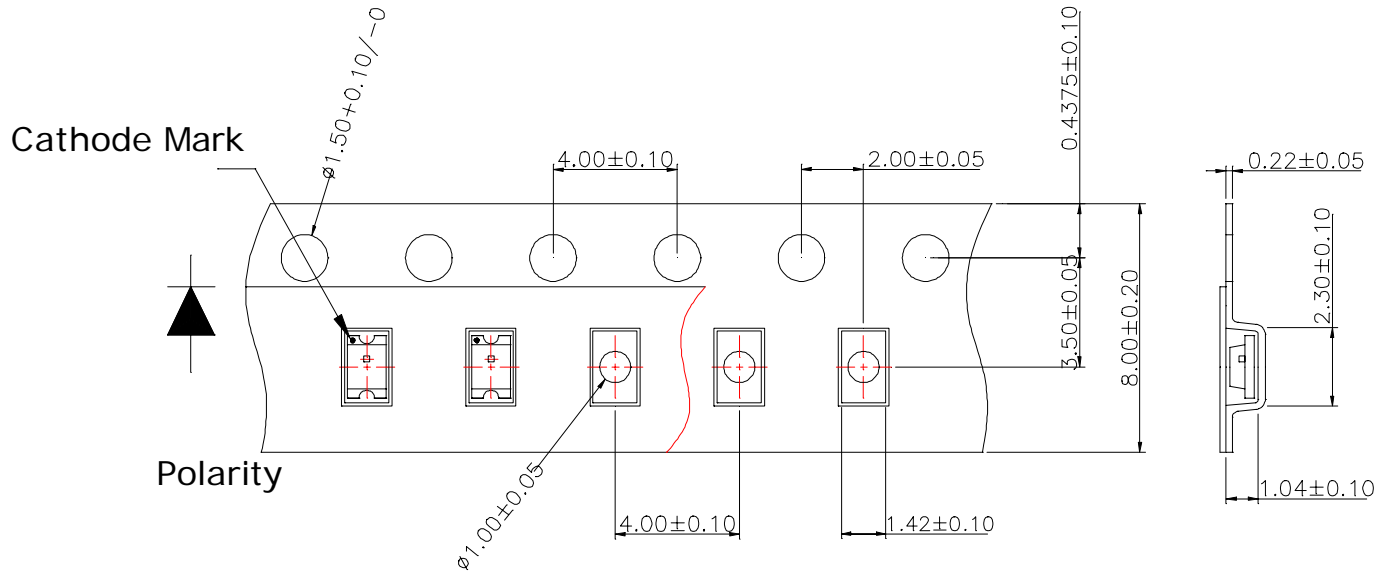
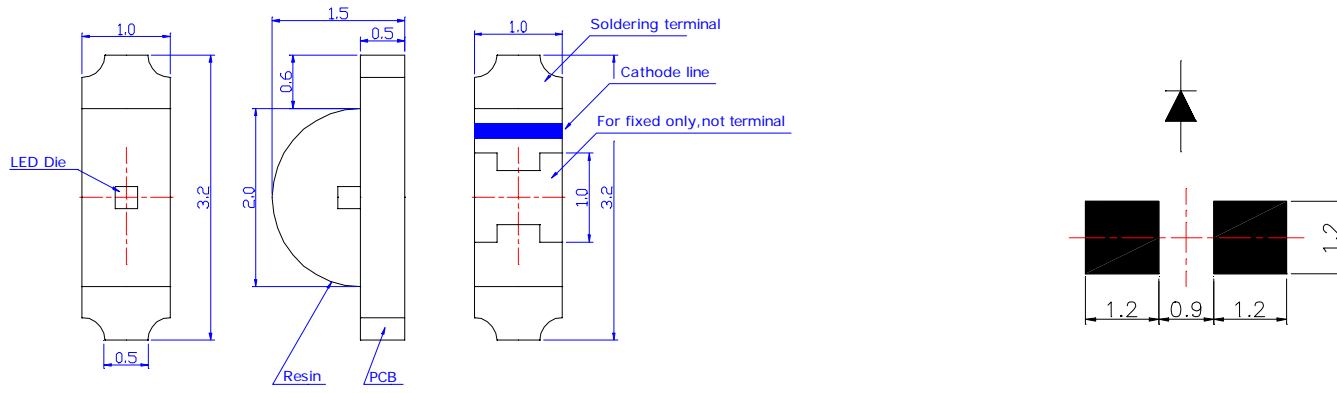


Fig. 3

MXXX3102W

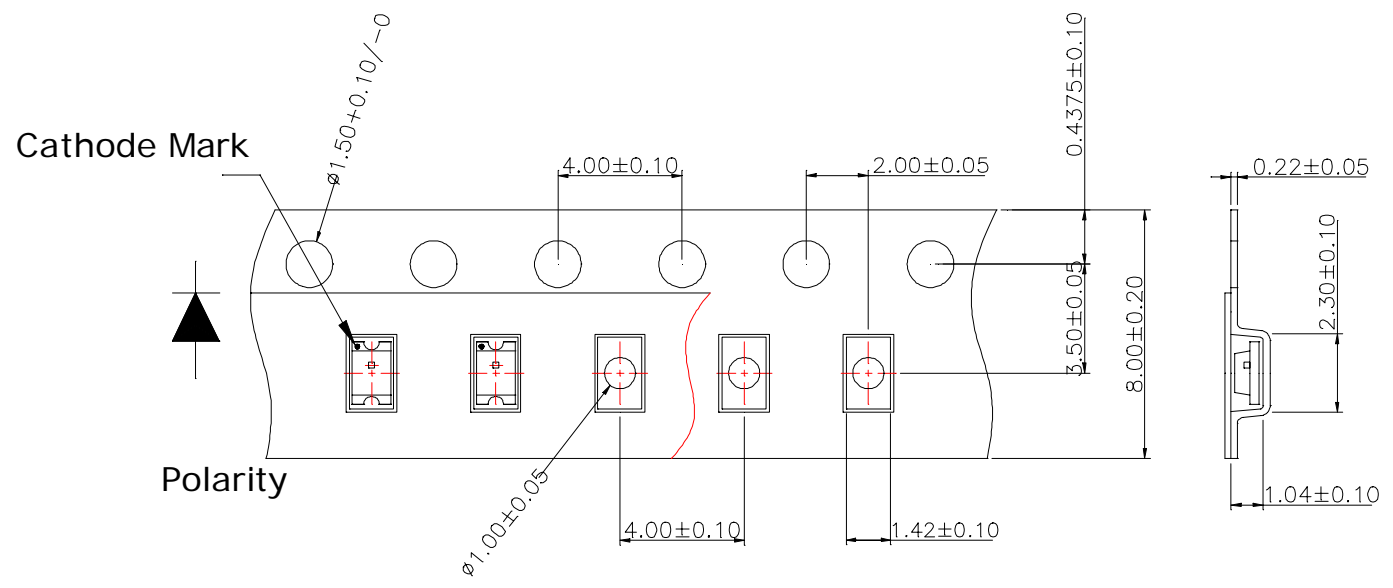
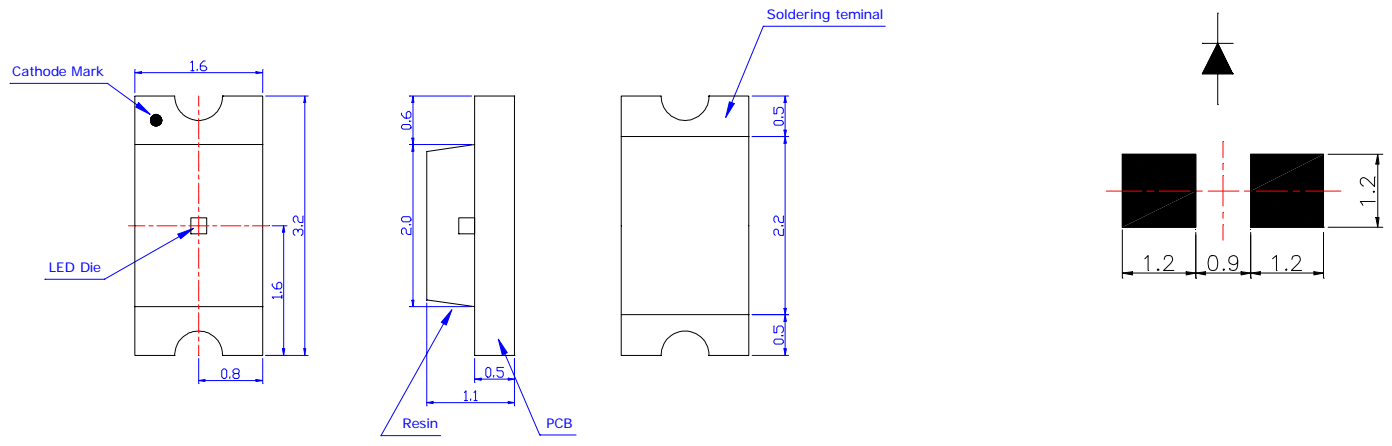


Fig. 4

MXXX61X1W

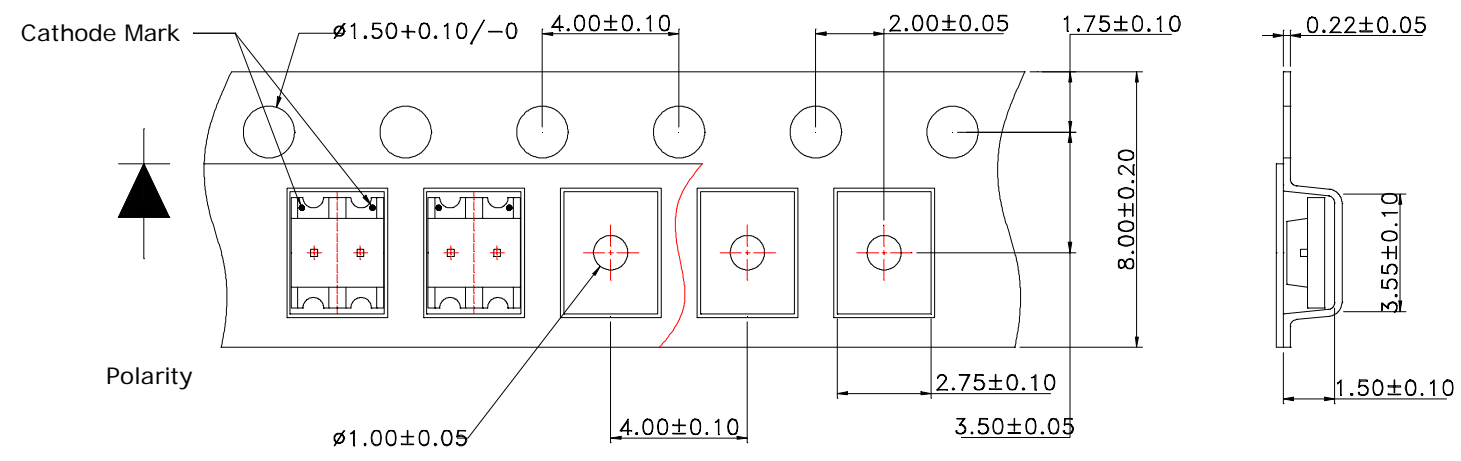
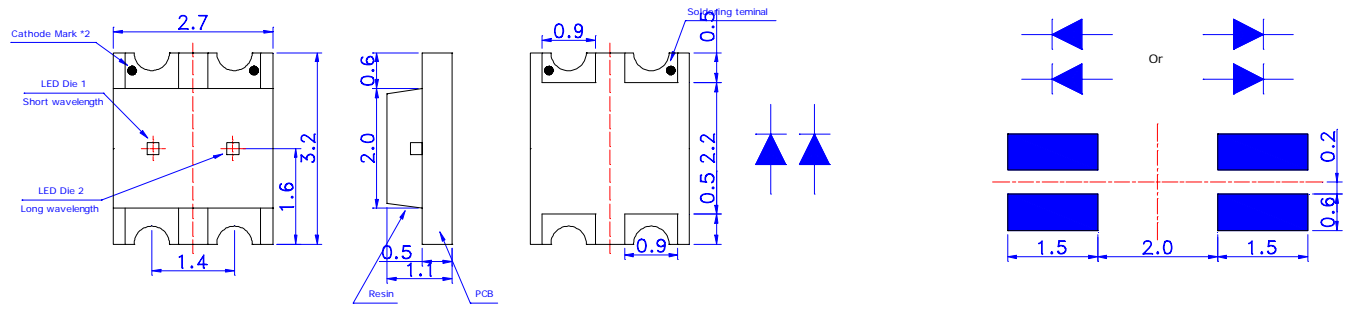


Fig. 5

MXXX72X3W