

Fig. 1

X00001X2Y1

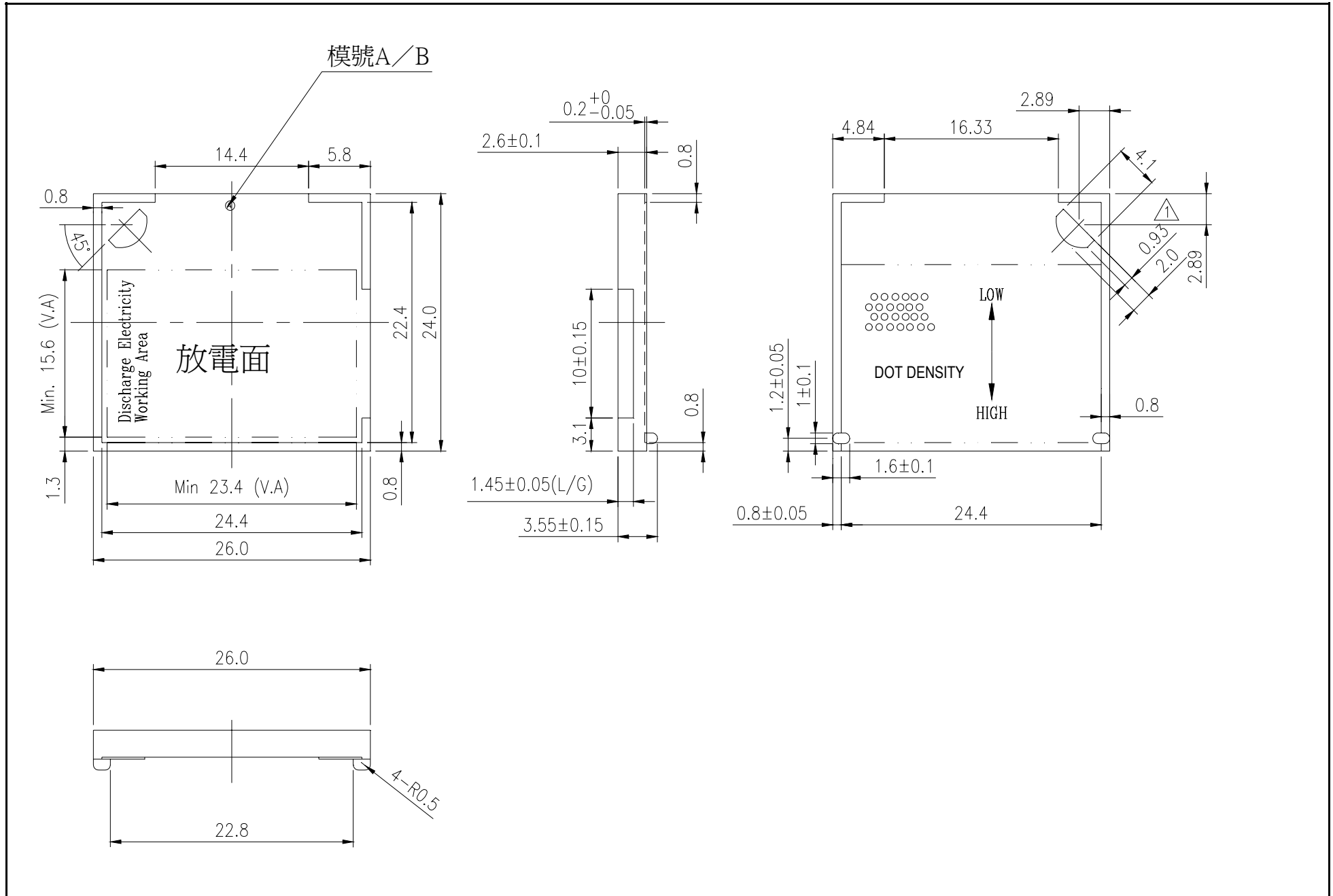


Fig. 2

X00001X1Y9

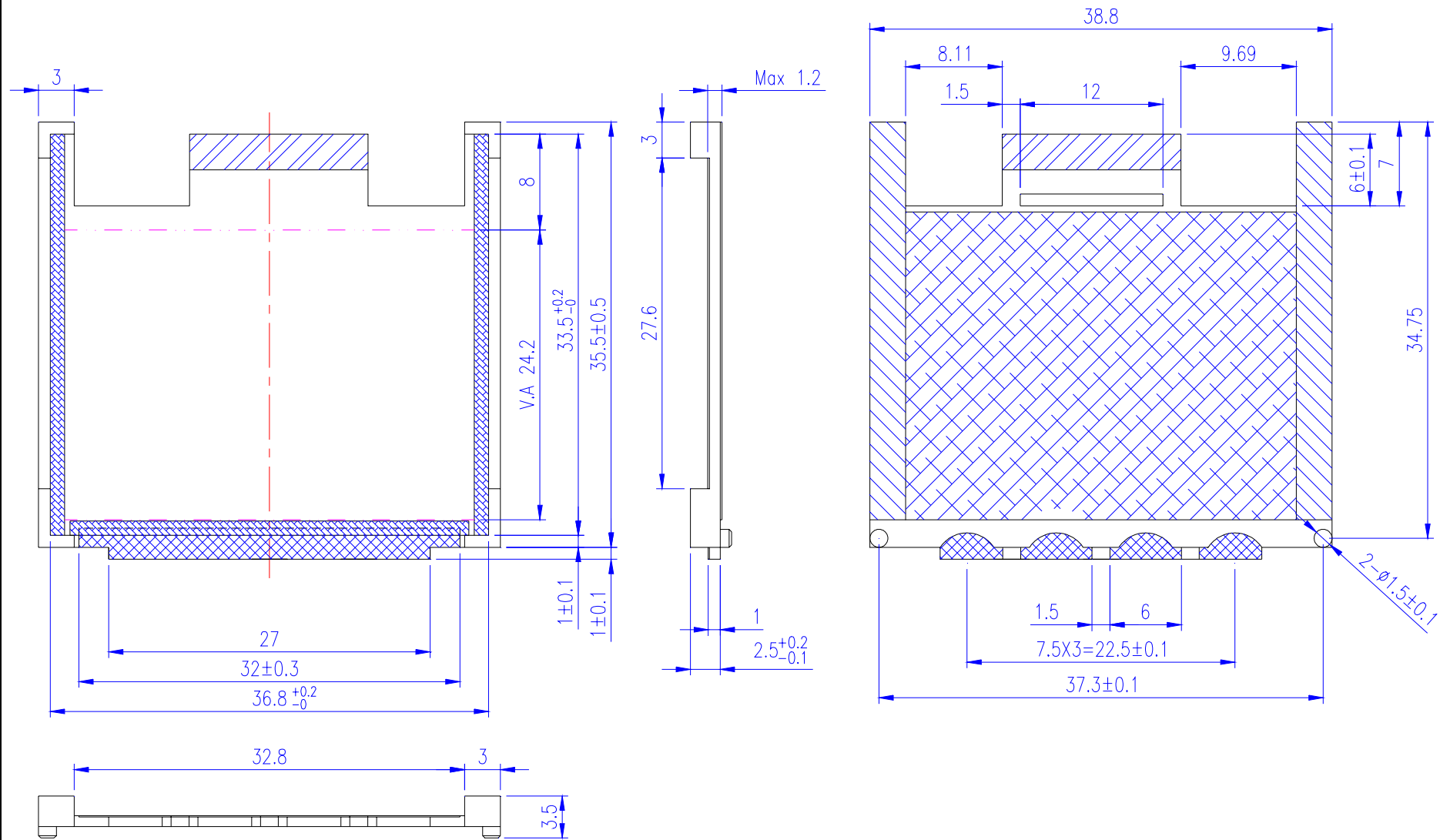
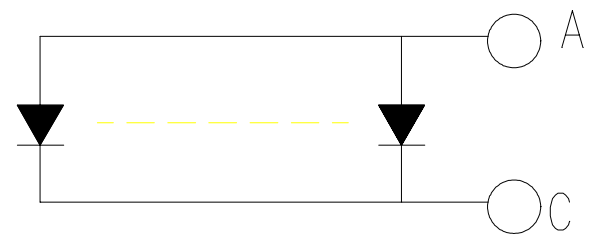
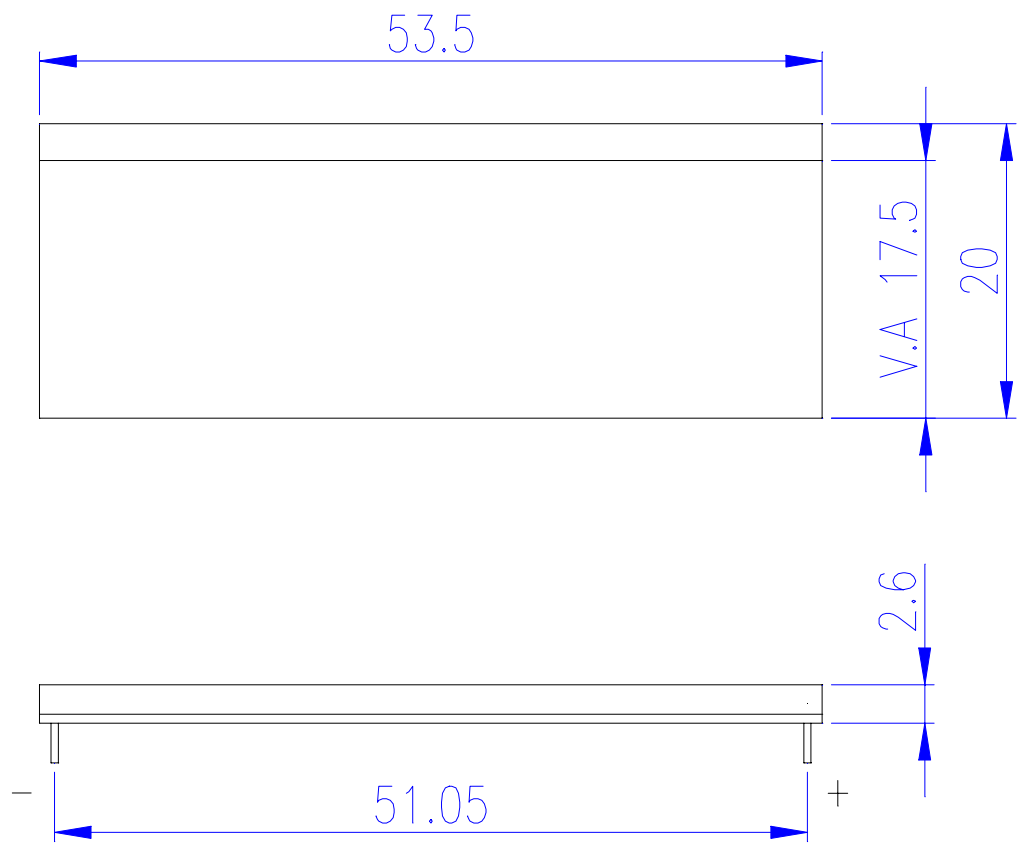


Fig. 3

X00001X1P4



A=ANODE
C=CATHODE

12(LED NUMBERS)

Fig. 4

X1G122M1P1

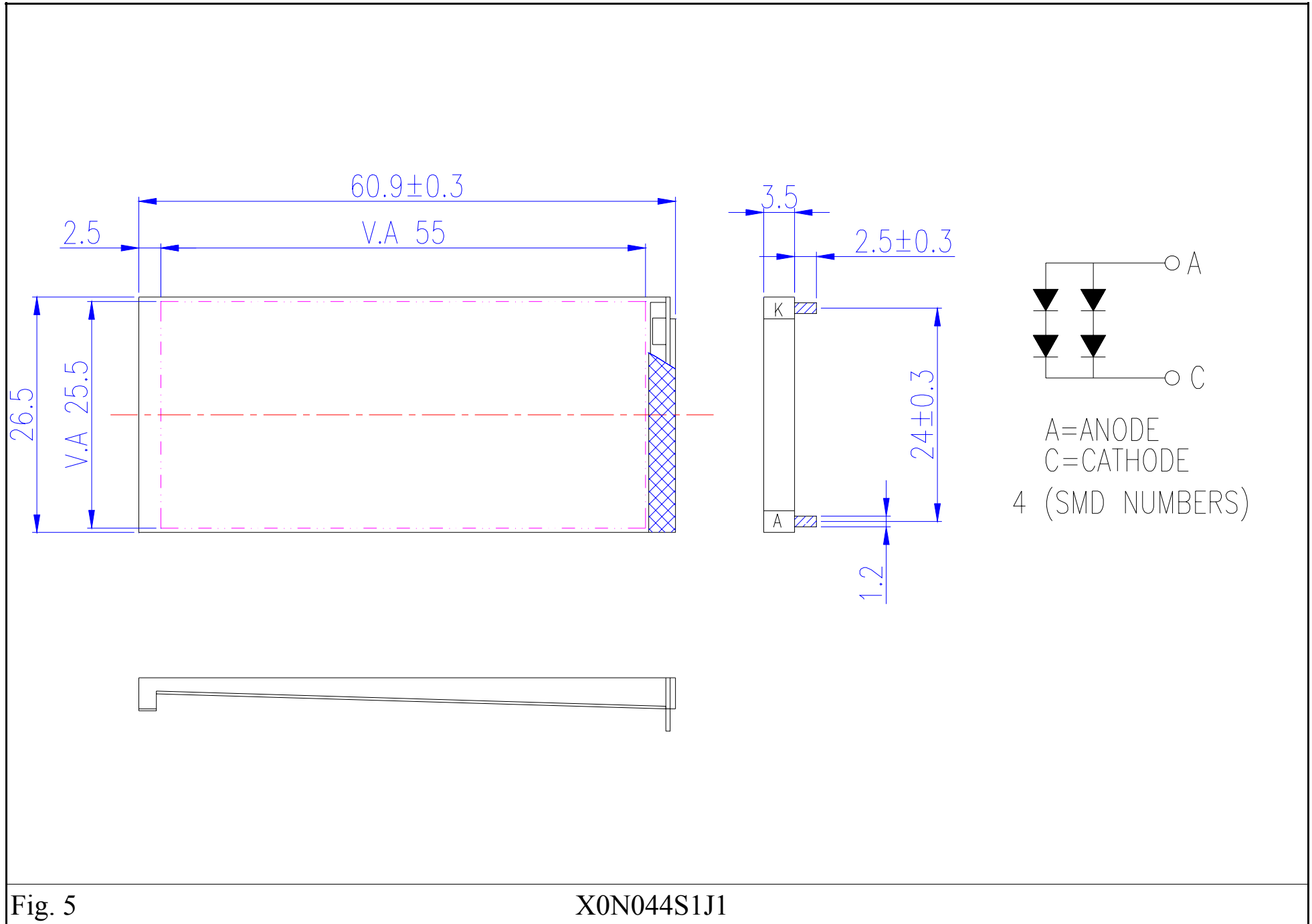
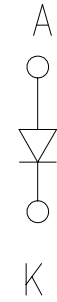
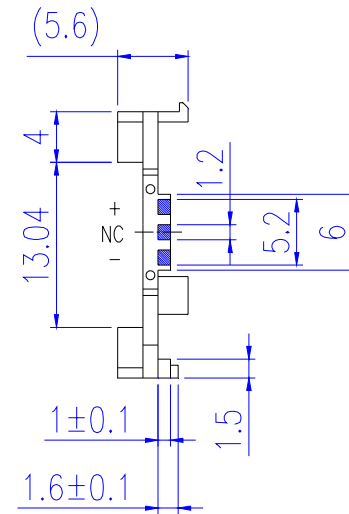
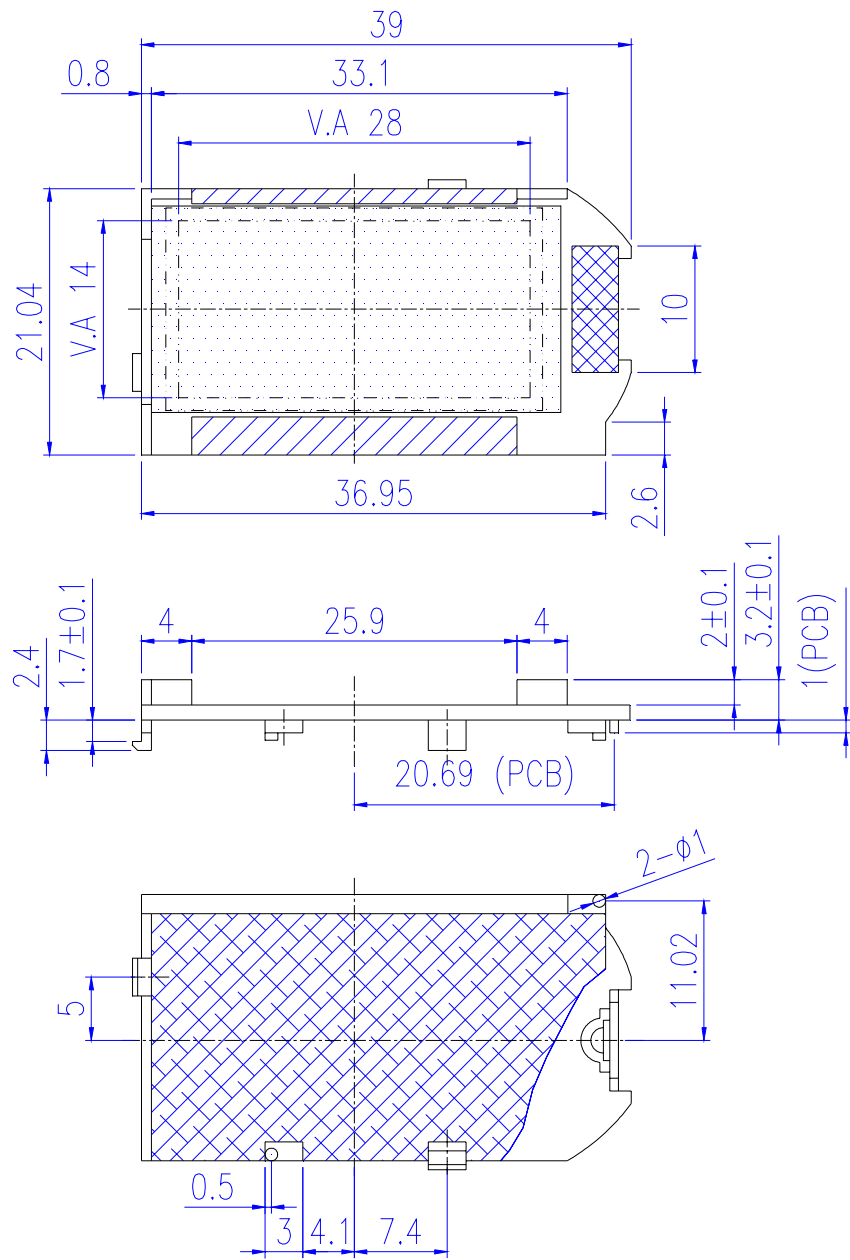


Fig. 5

X0N044S1J1



A=ANODE
 C=CATHODE
 1 (LED NUMBERS)

Fig. 6

X0Q011S1Q1

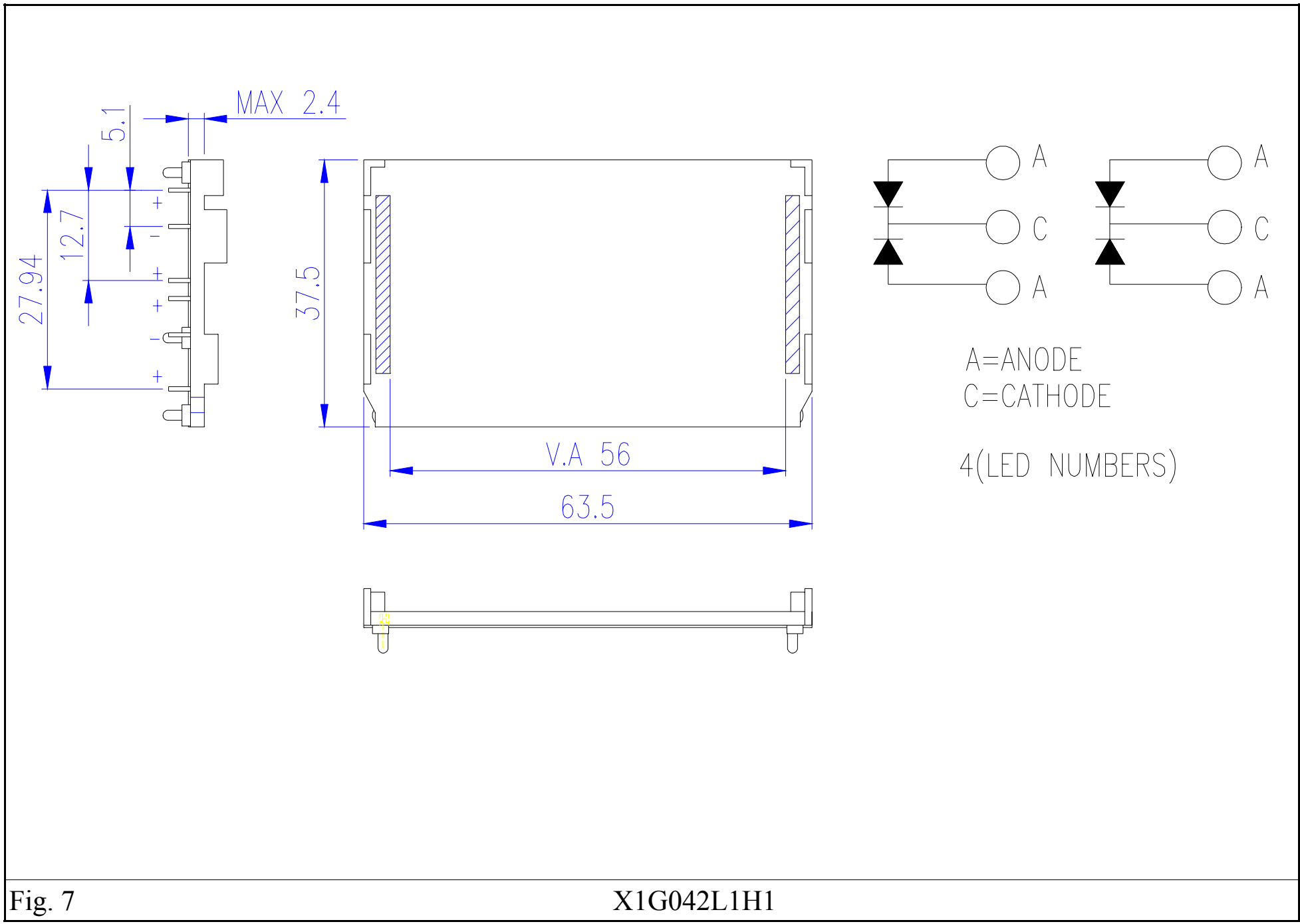


Fig. 7

X1G042L1H1

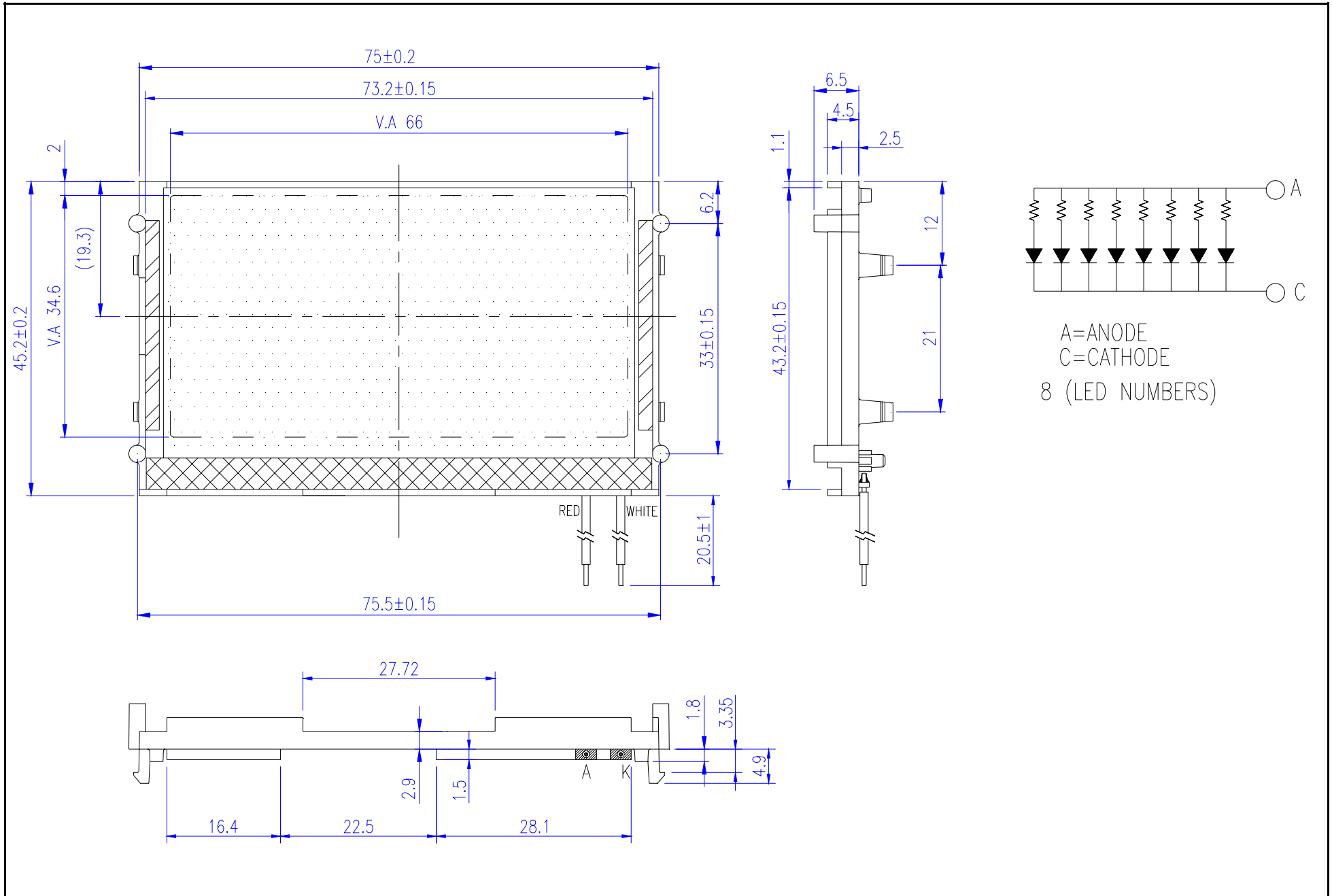
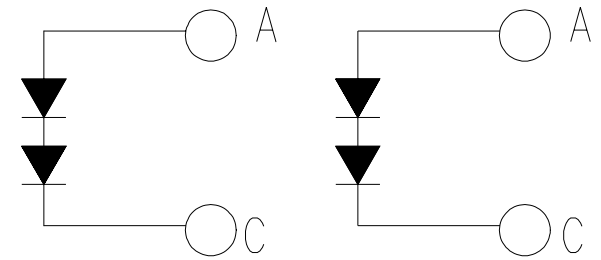
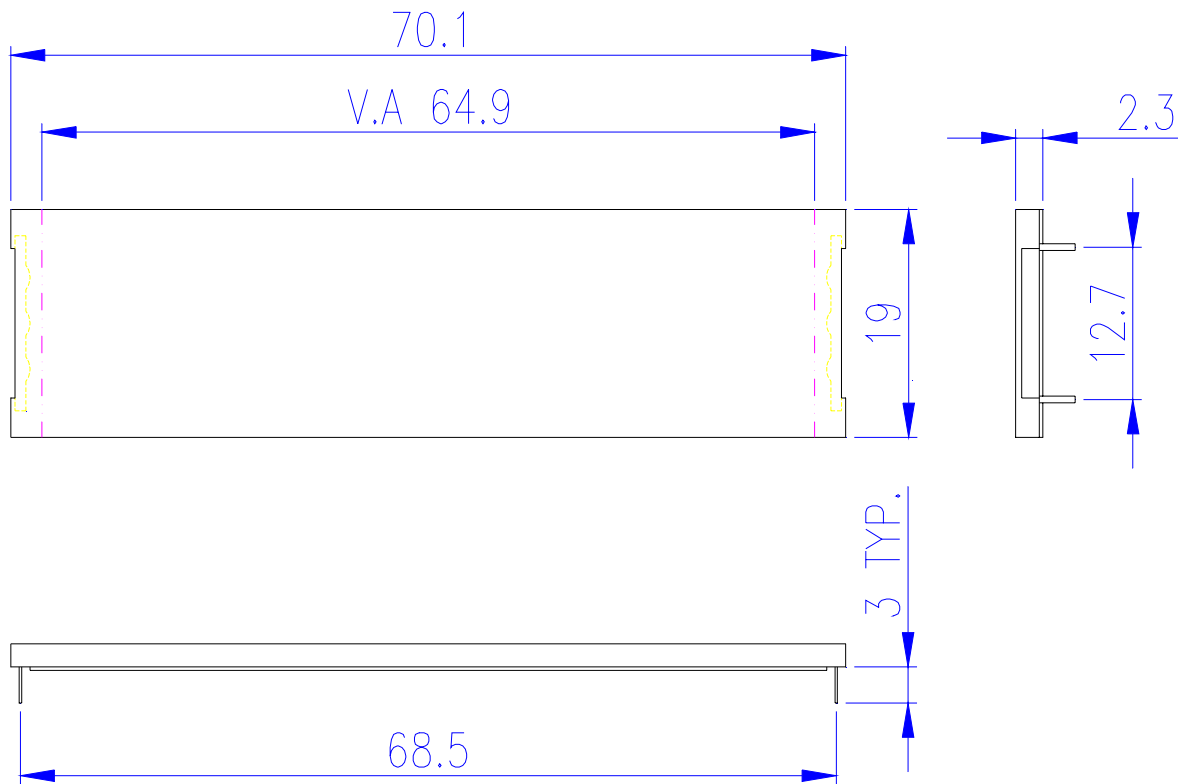


Fig. 8

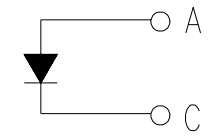
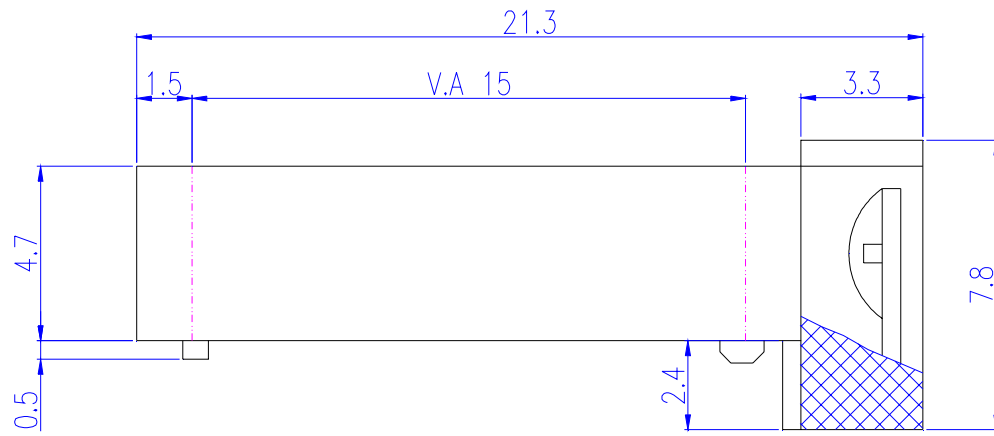
X2A083S1P1



A=ANODE
 C=CATHODE
 4(LED NUMBERS)

Fig. 9

X1G043L2B1



A=ANODE
C=CATHODE
1(LED NUMBERS)

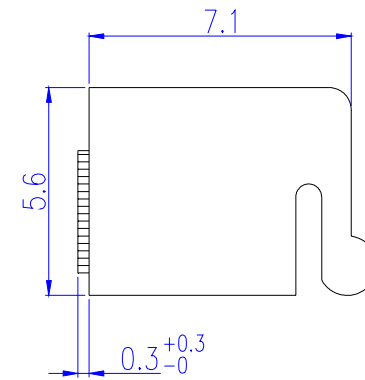
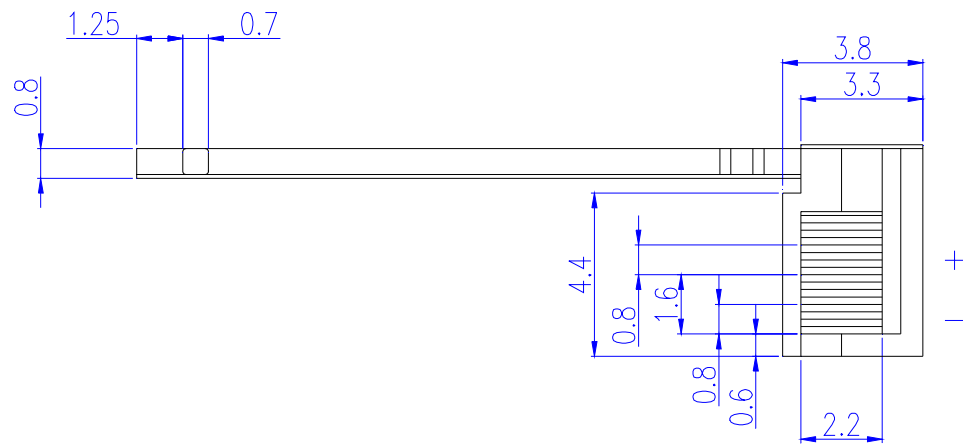
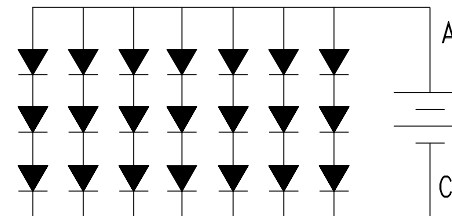
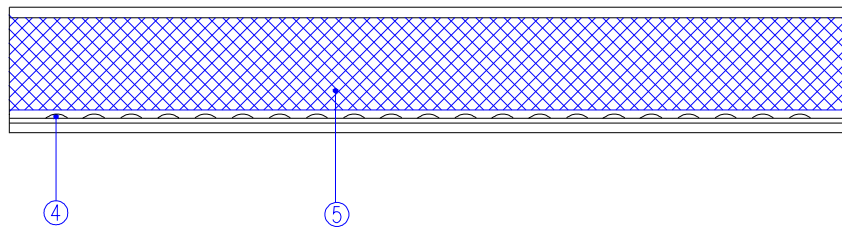
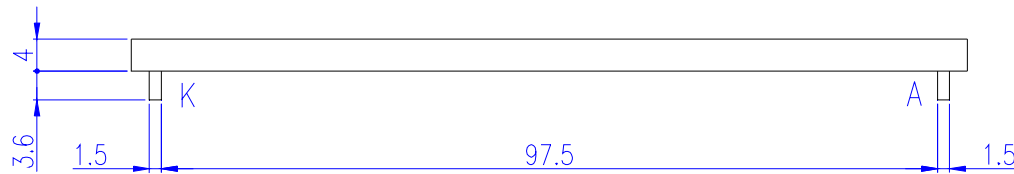
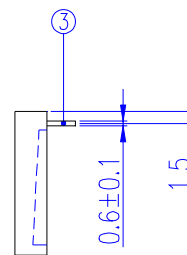
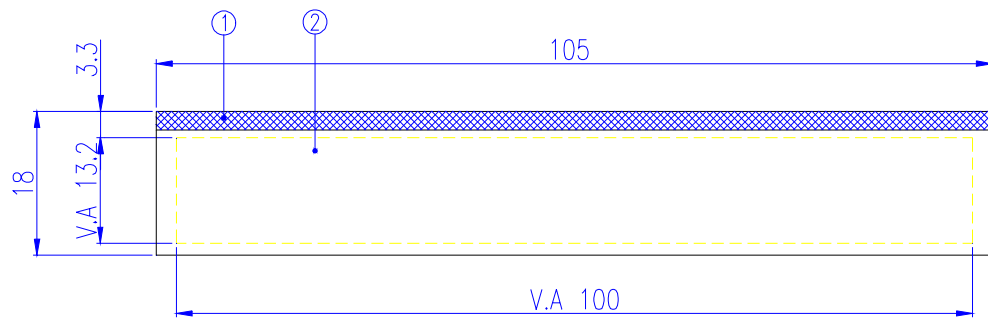


Fig. 10

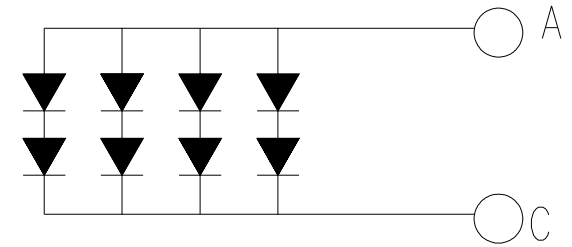
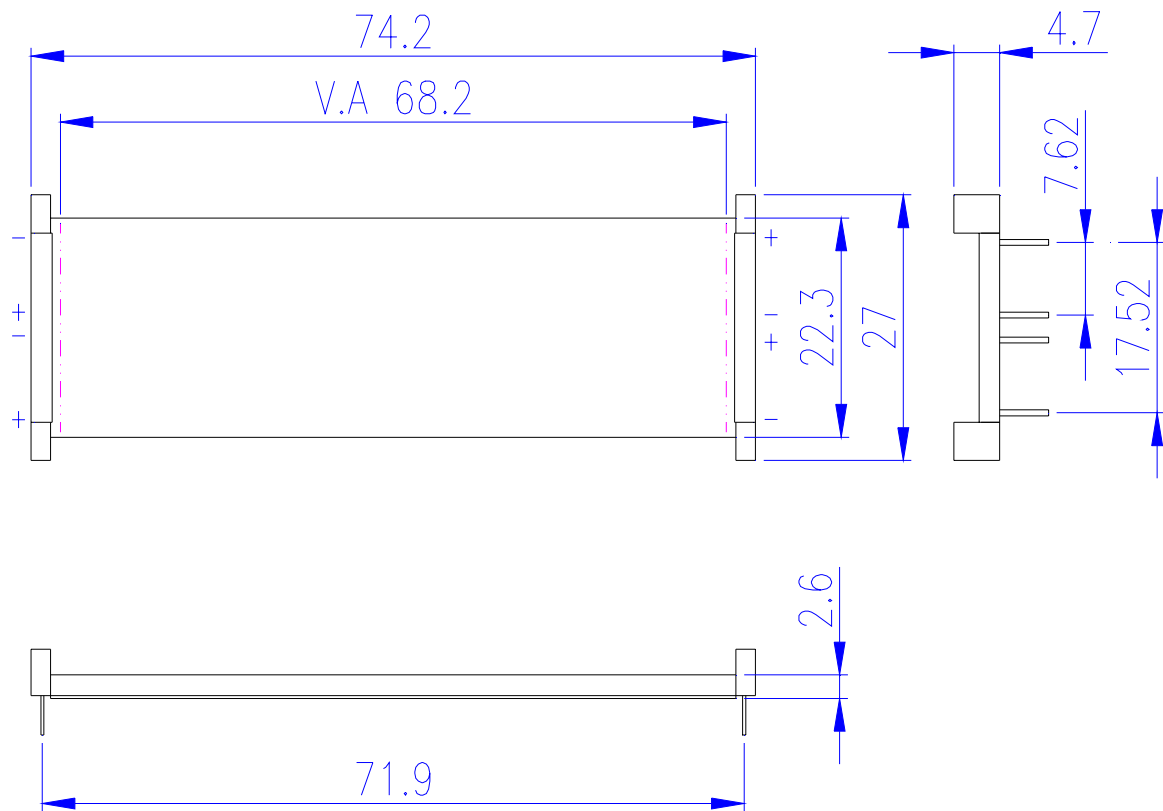
X4B011M1A1



Current = 70 mA
 Ambient Tempera
 $T_a = 25^\circ\text{C}$

Fig. 11

X0U204M1S1



A=ANODE
C=CATHODE

8(LED NUMBERS)

Fig. 12

X1G083L2G1

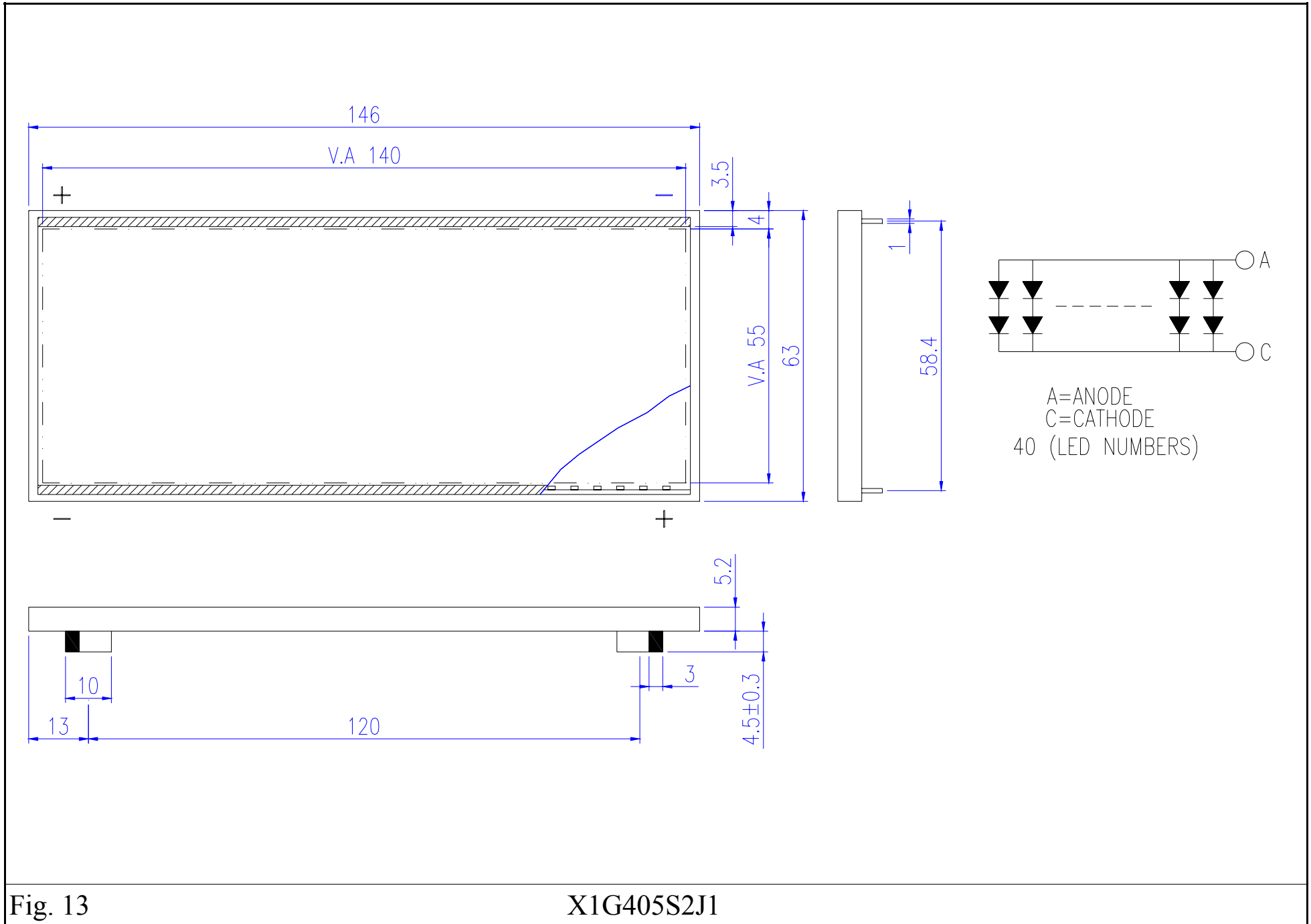
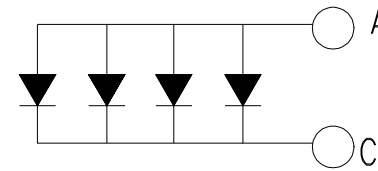
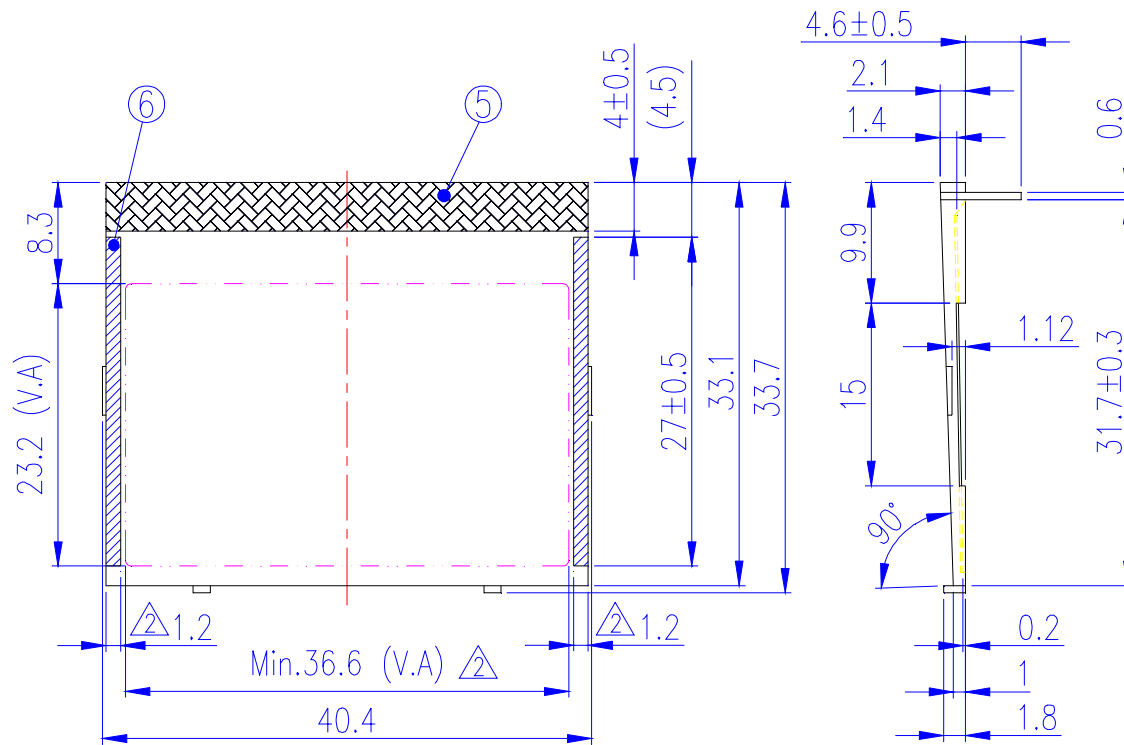


Fig. 13

X1G405S2J1



A=ANODE
C=CATHODE

4 (LED NUMBERS)

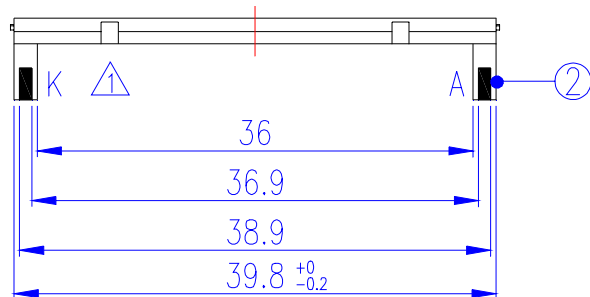


Fig. 14

X9Q042M1W1

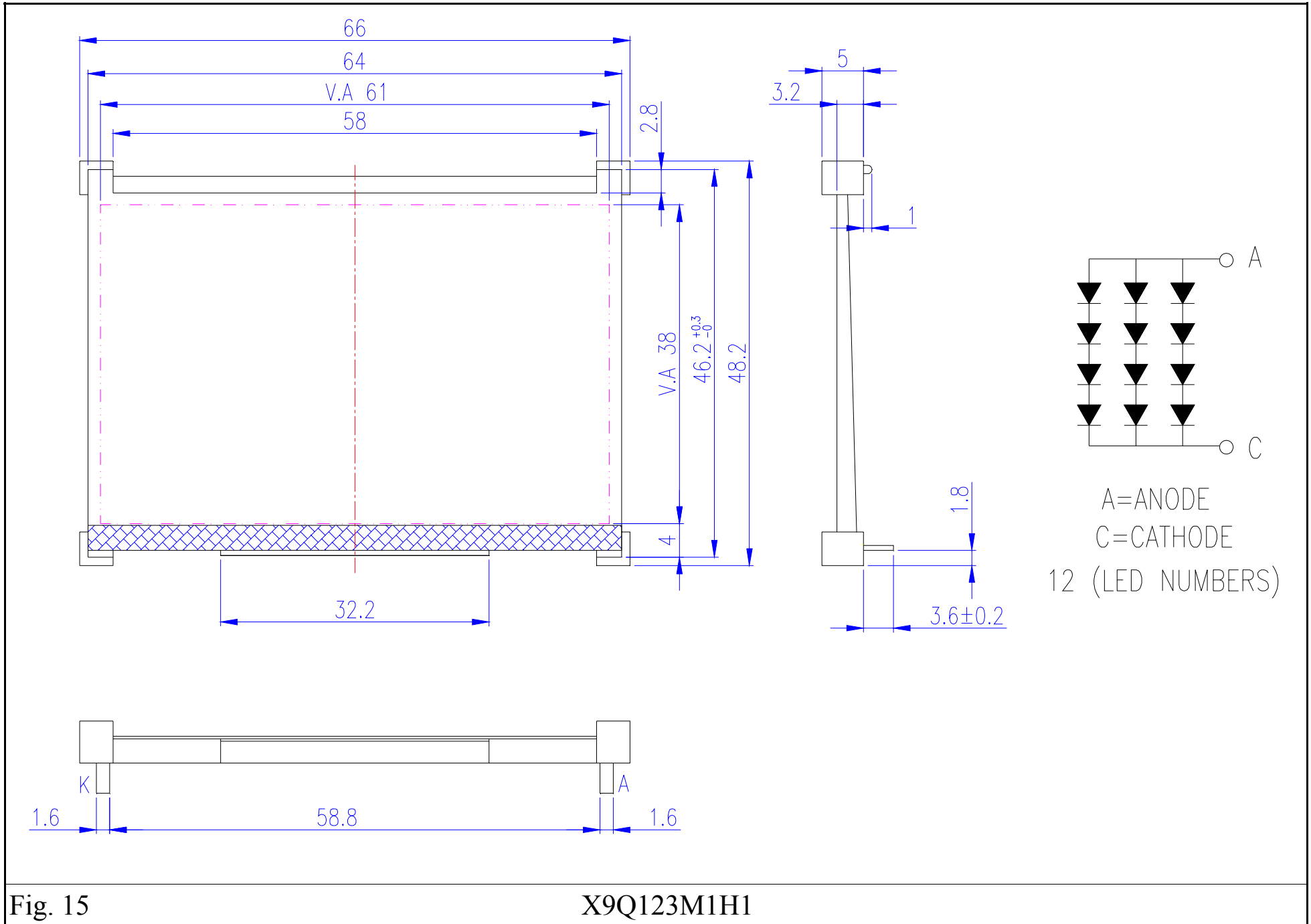
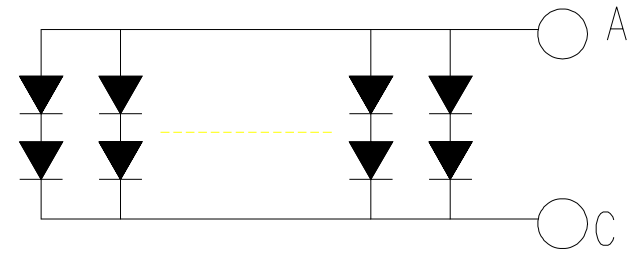
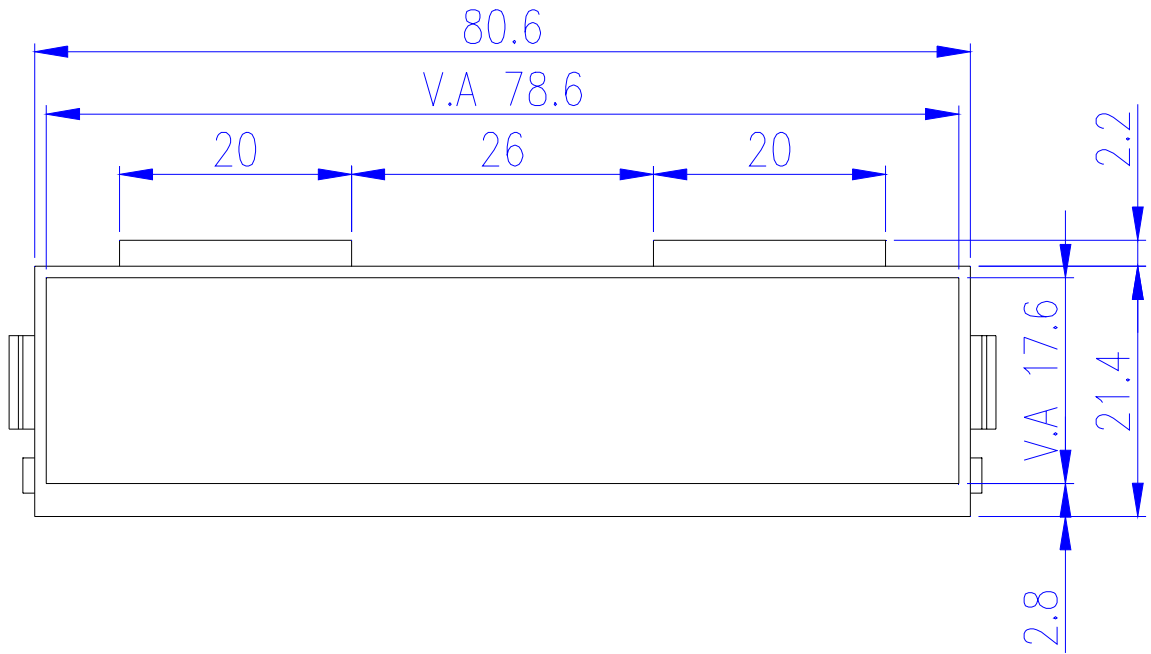


Fig. 15

X9Q123M1H1



A=ANODE

C=CATHODE

18(LED NUMBERS)

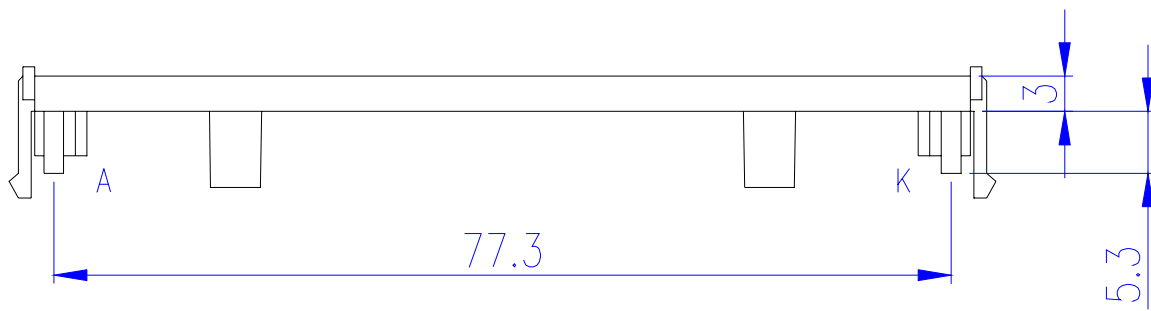


Fig. 16

X1G183M1U1

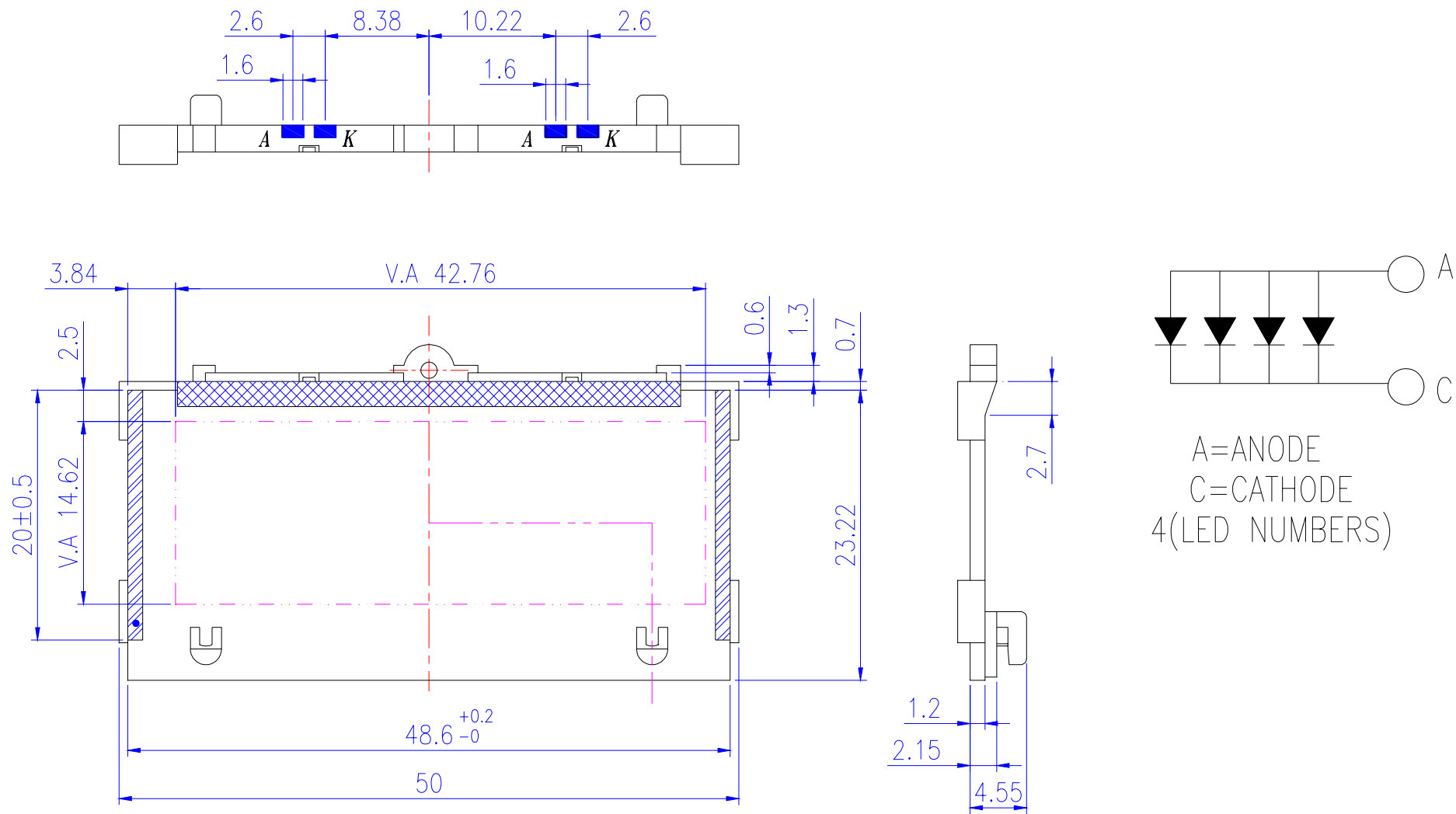


Fig. 17

X9E041M1Y3

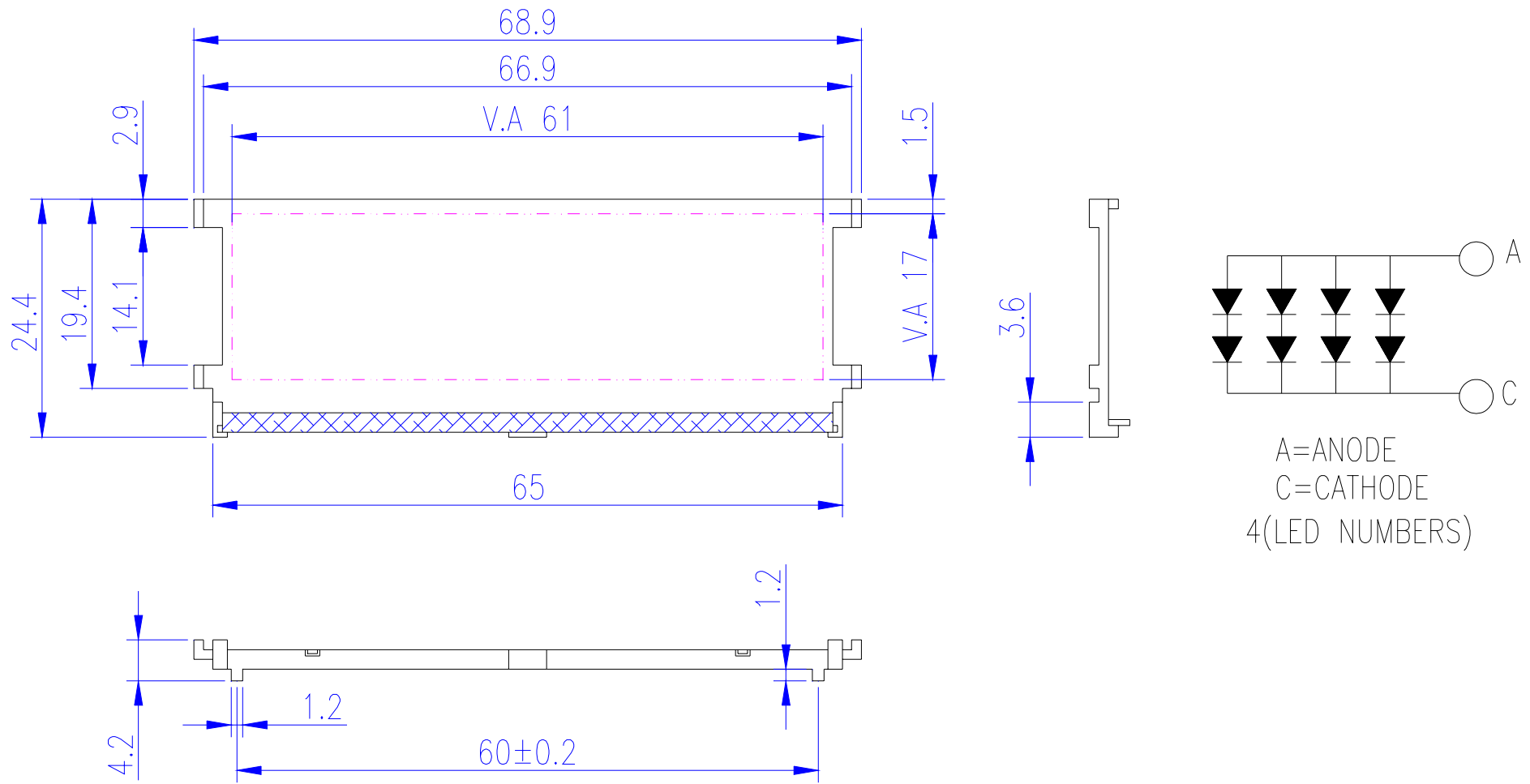


Fig. 18

X9Q081M1A1

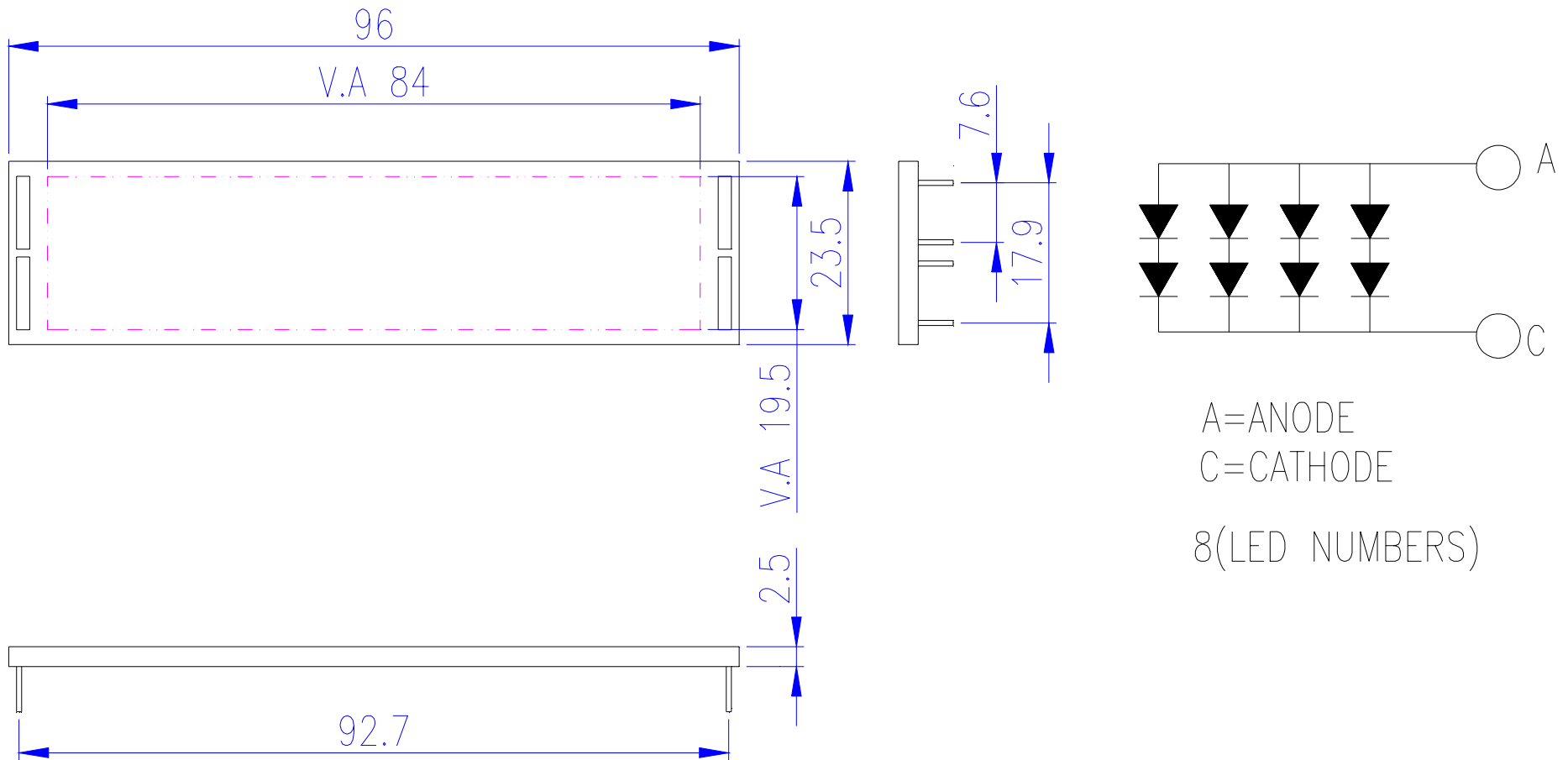


Fig. 19

X1G083L2J2

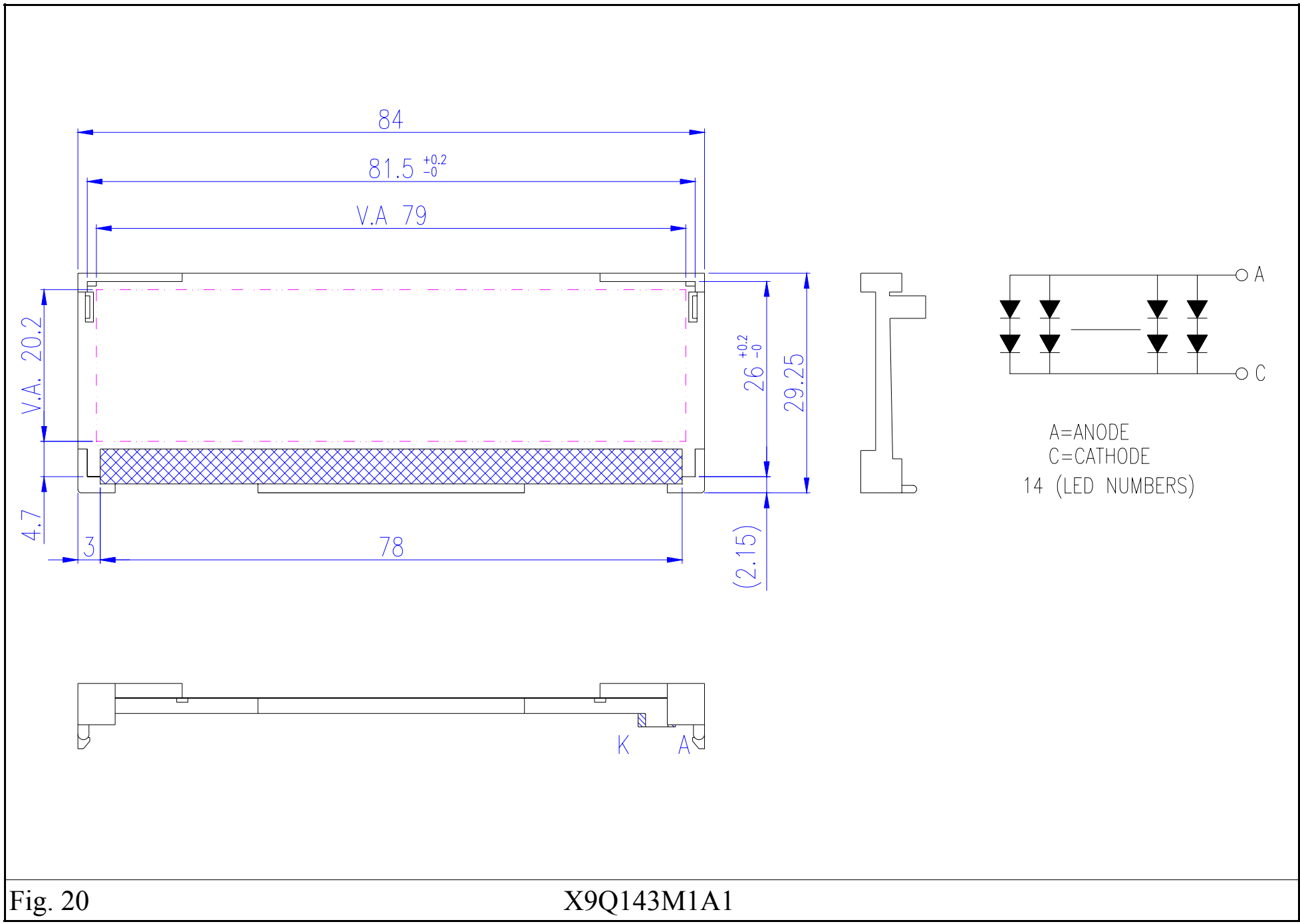


Fig. 20

X9Q143M1A1

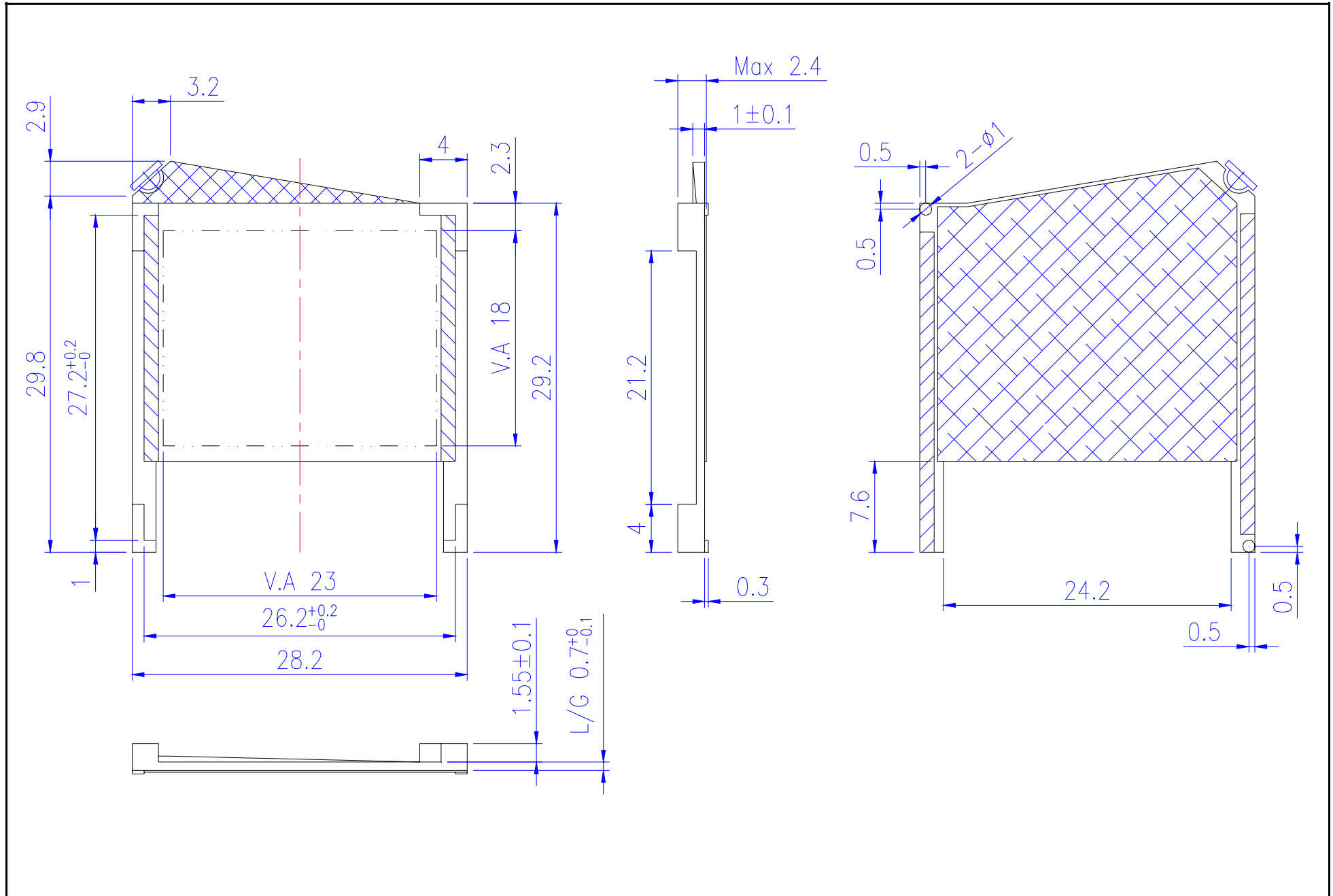


Fig. 21

X00001X1Y4

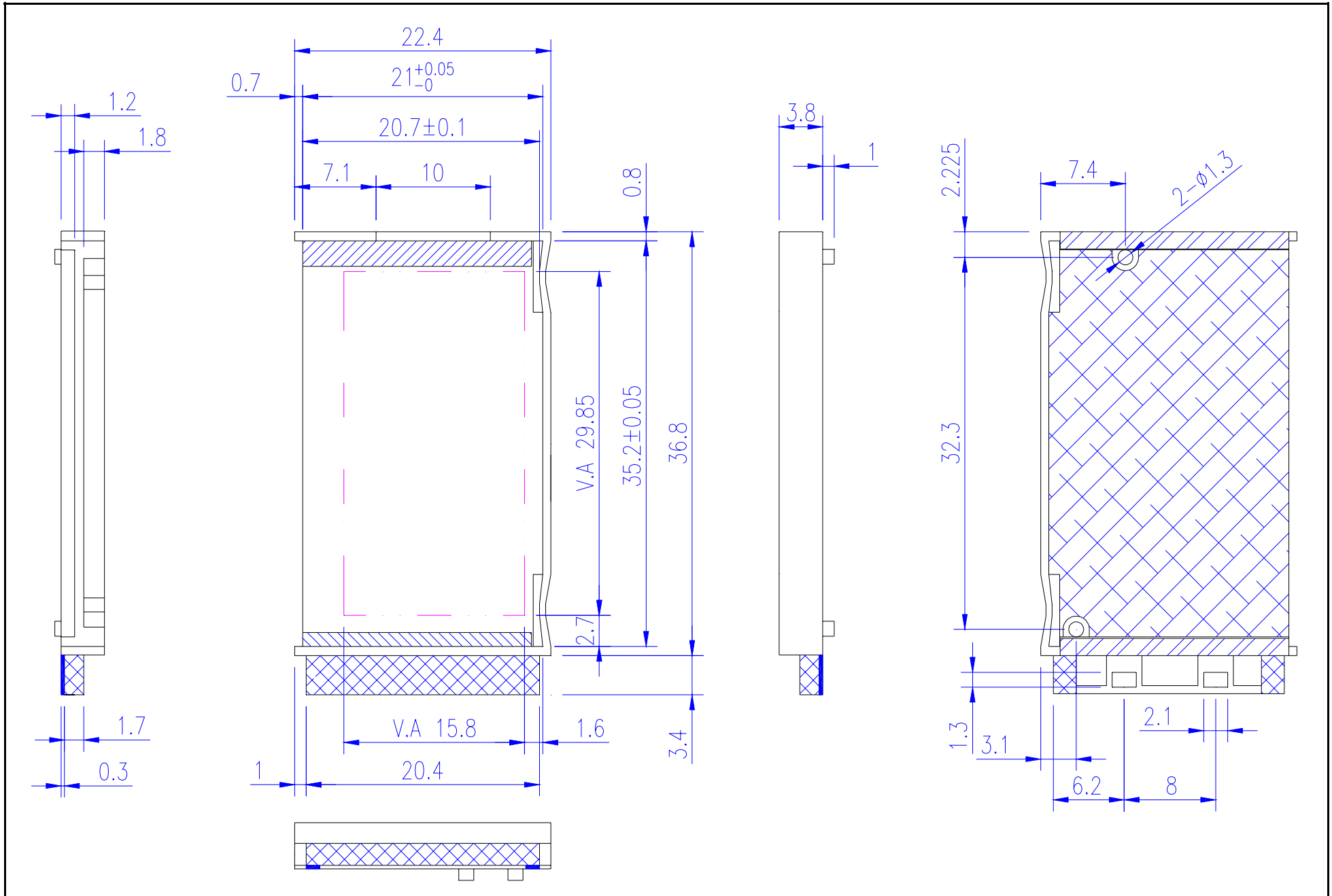


Fig. 22

X00001X1H4

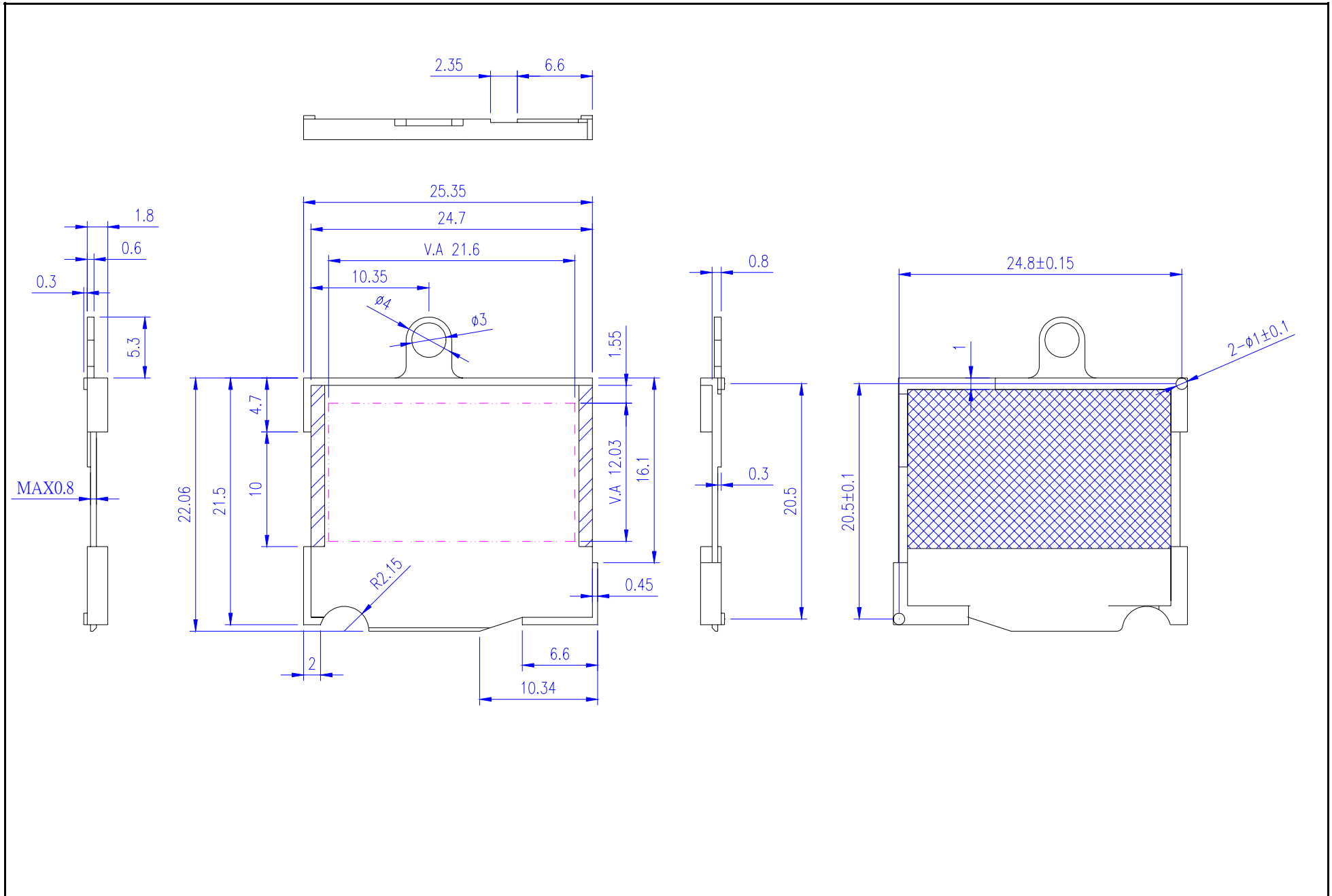


Fig. 23

X00001X1P2

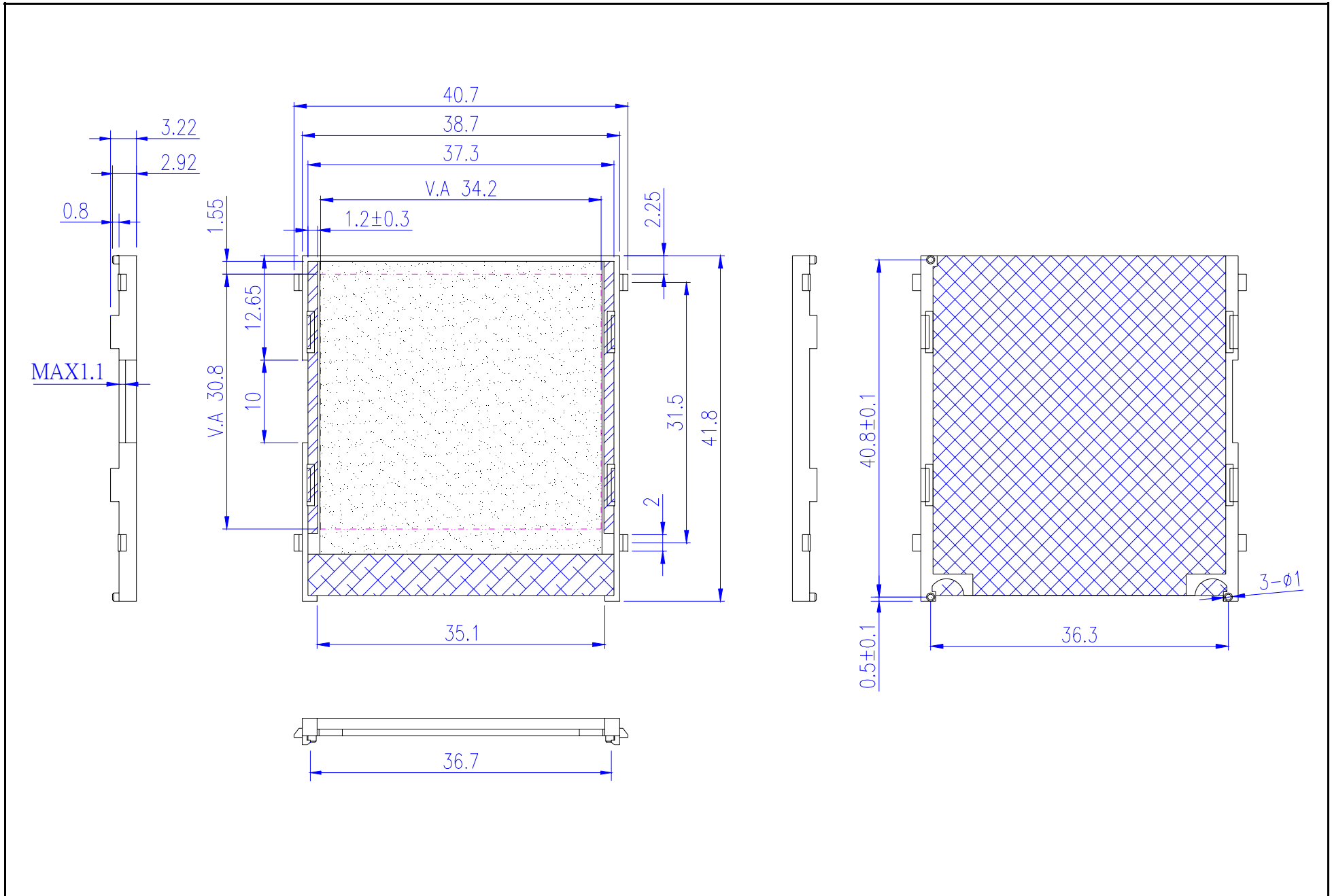


Fig. 24

X00001X1P3

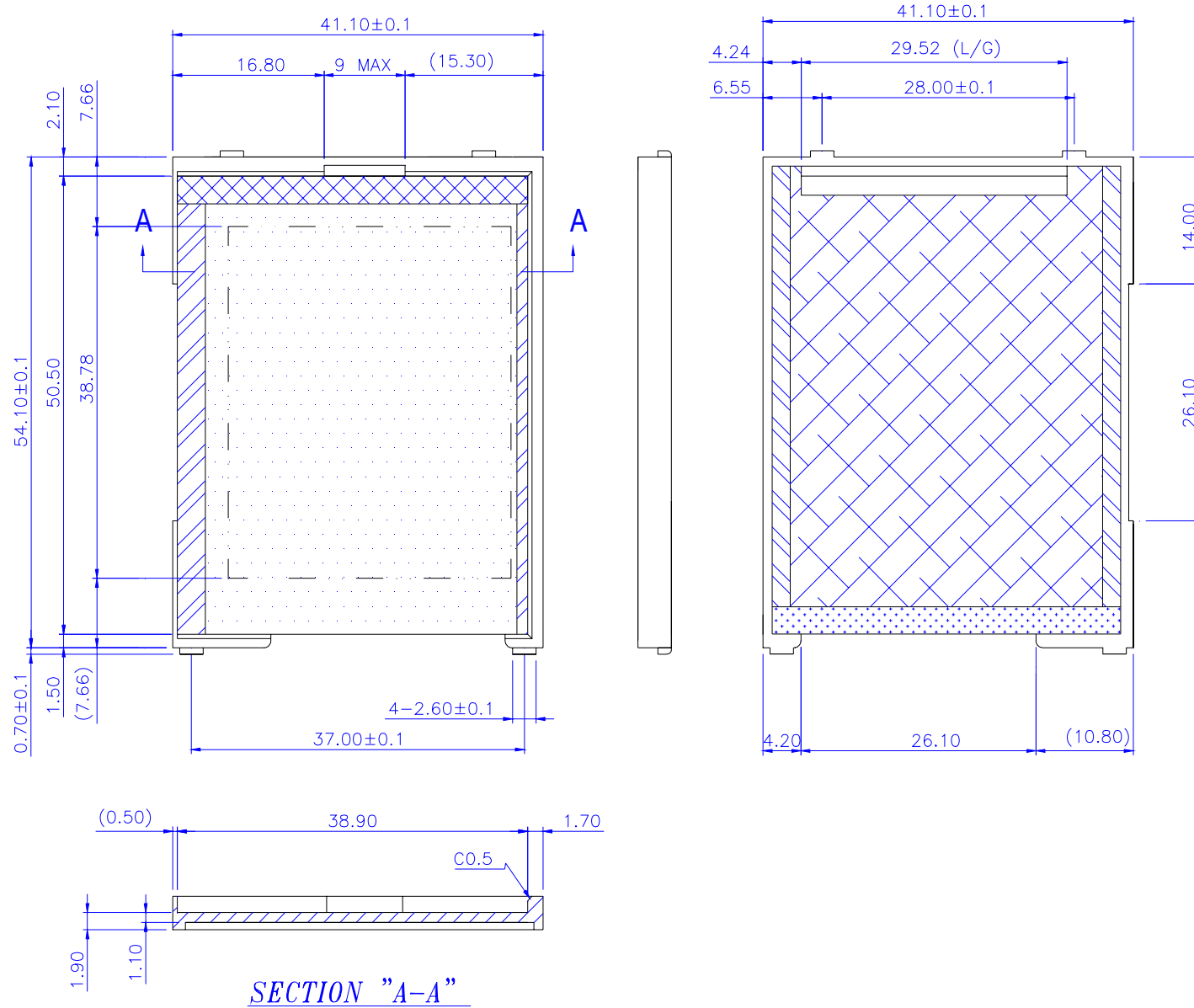
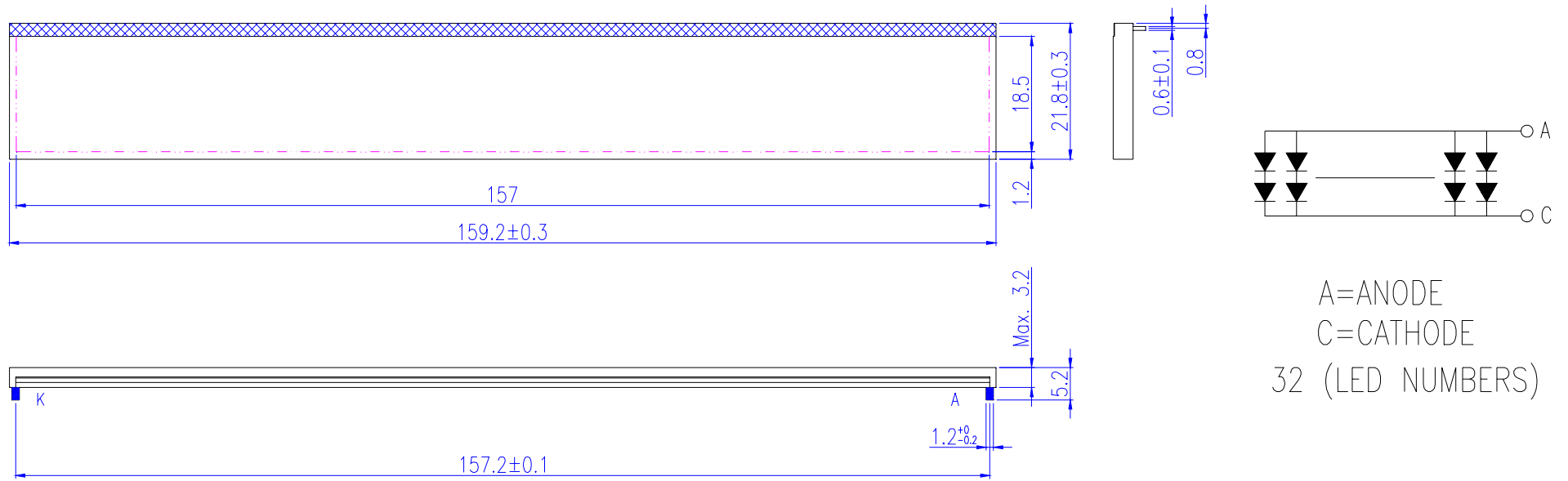


Fig. 25

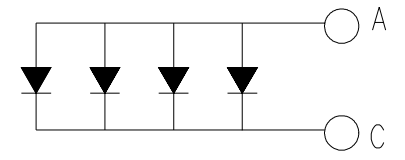
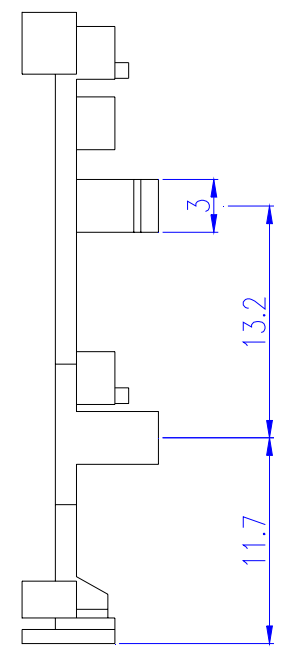
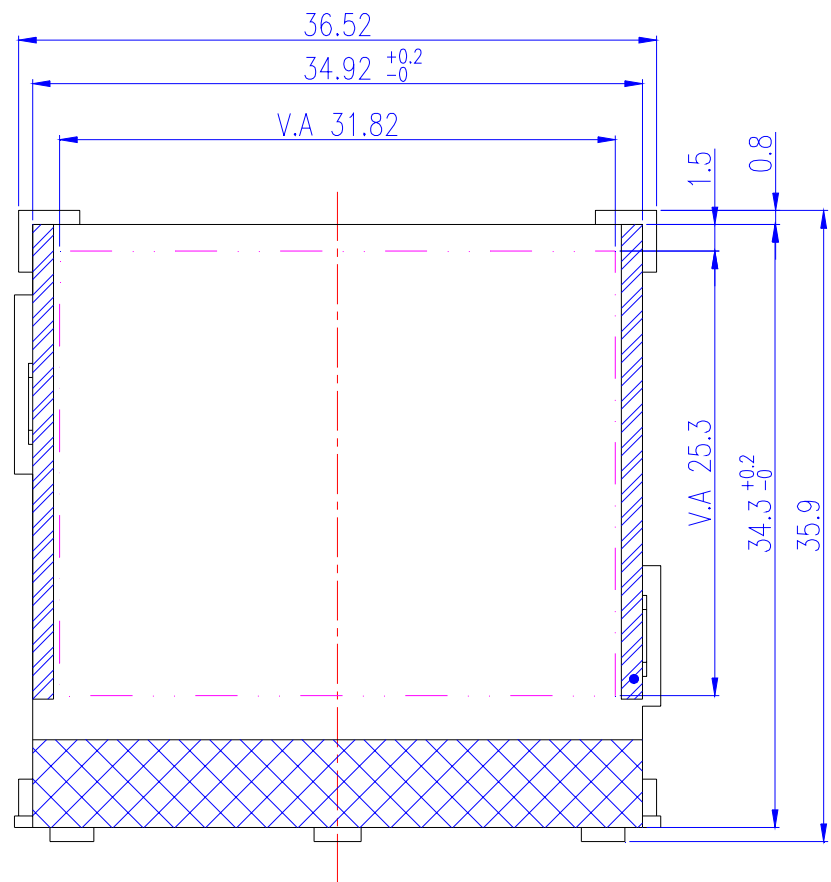
X00001X1Y8



A=ANODE
 C=CATHODE
 32 (LED NUMBERS)

Fig. 26

X9Q323M1Z1



A=ANODE
 C=CATHODE
 4(LED NUMBERS)

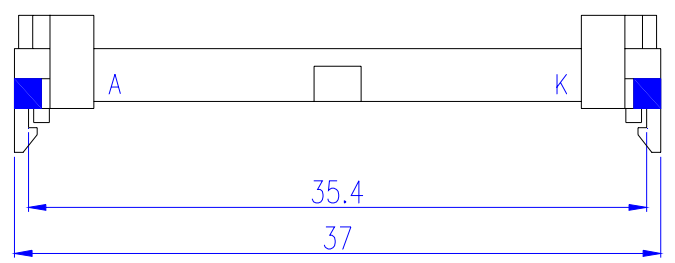
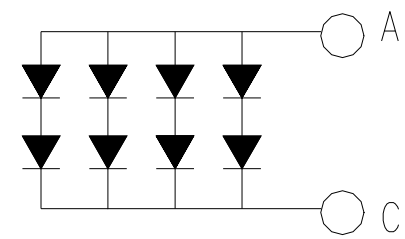
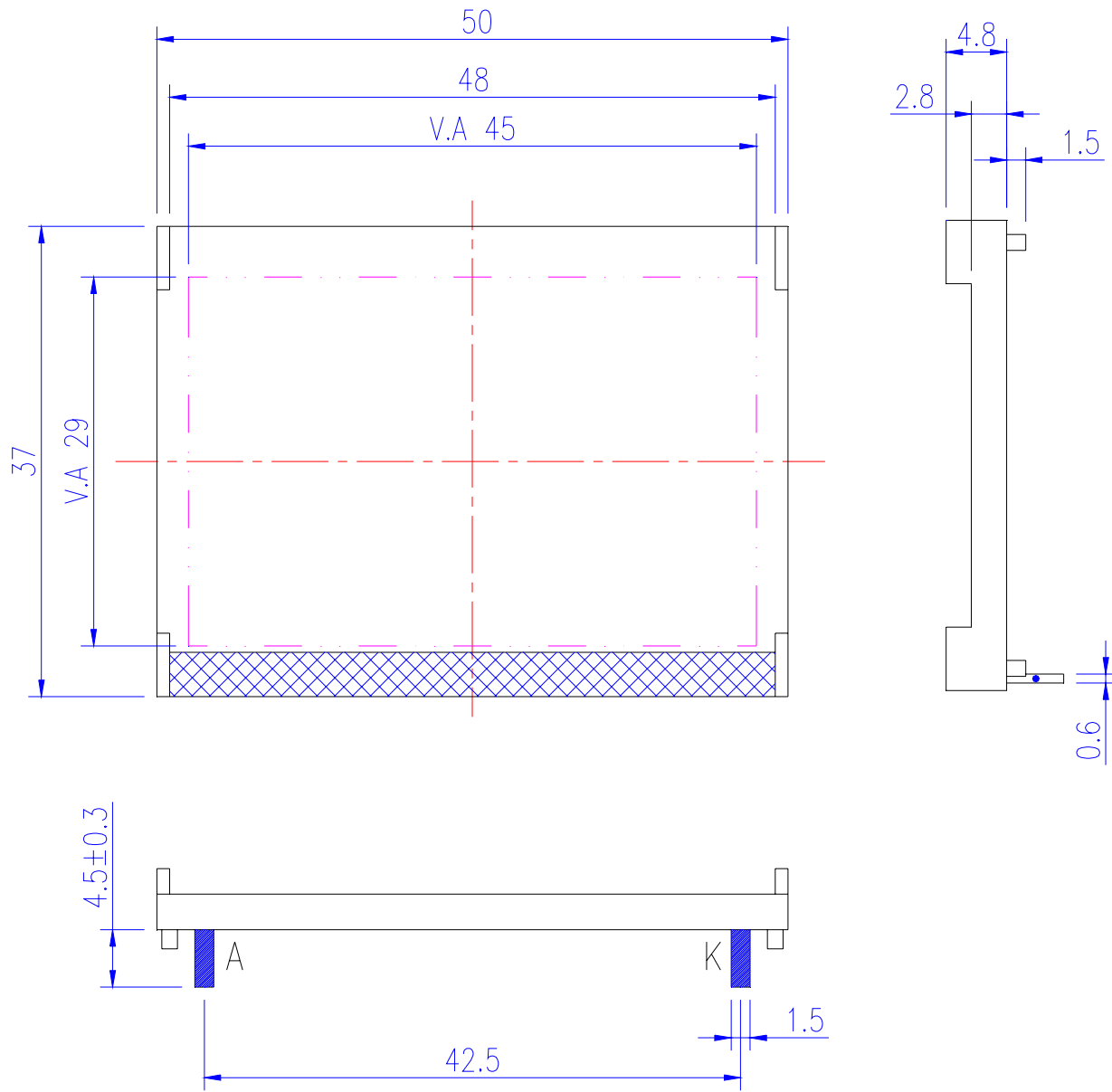


Fig. 27

X2A041M1Y1



A=ANODE
 C=CATHODE
 8 (LED NUMBERS)

Fig. 28

X2A083M1E1

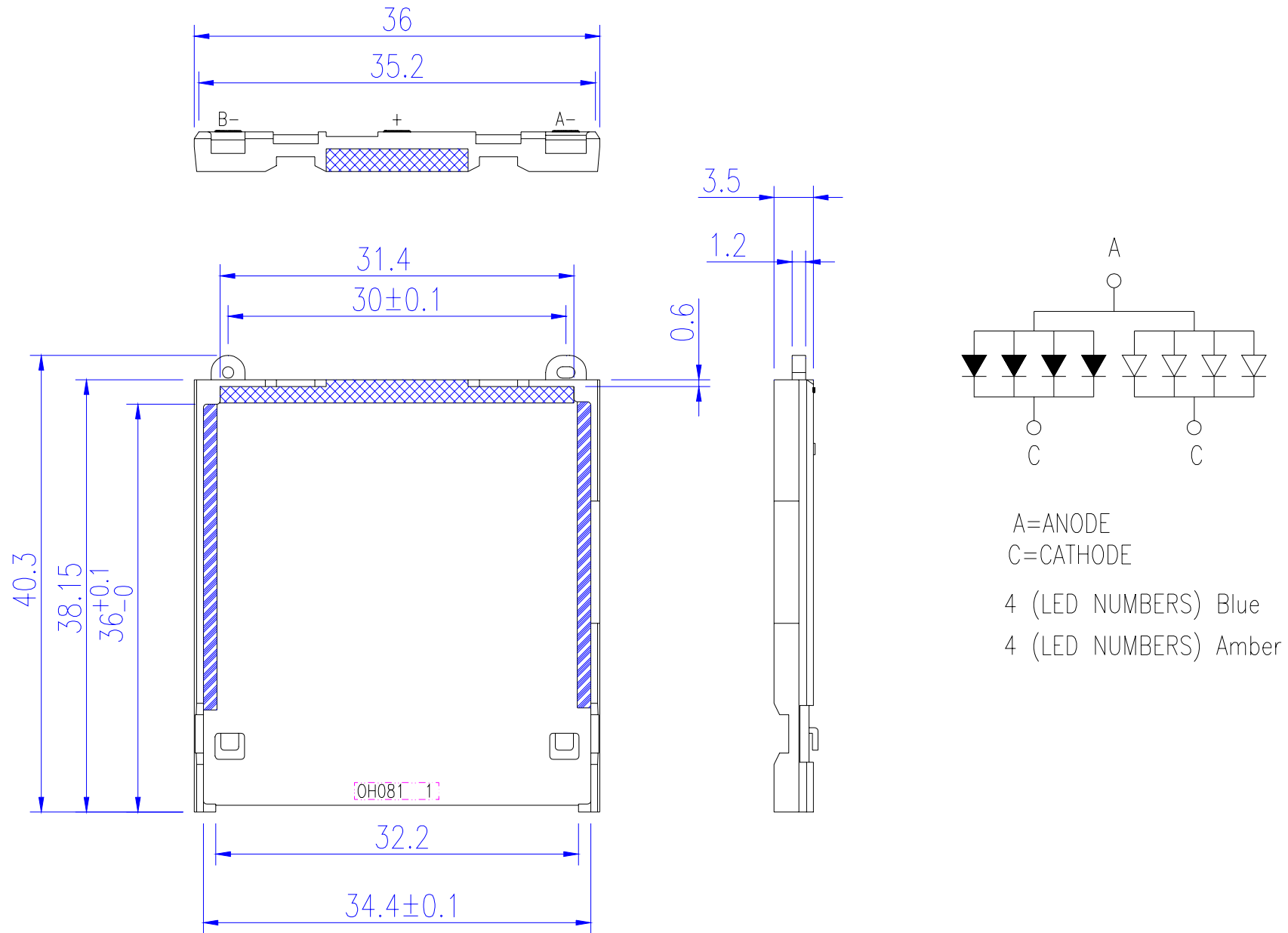
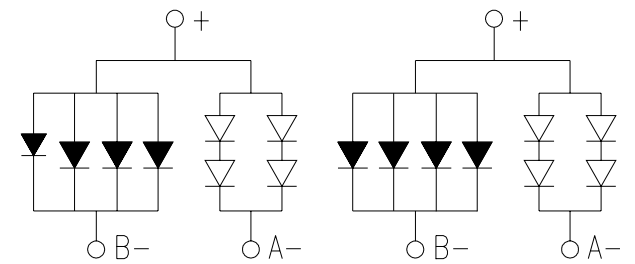
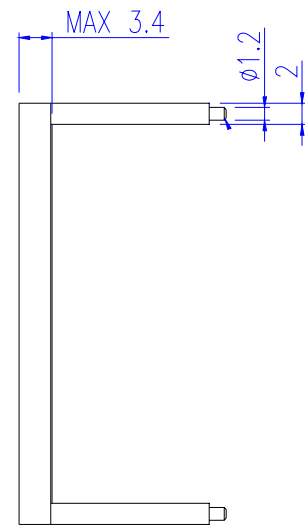
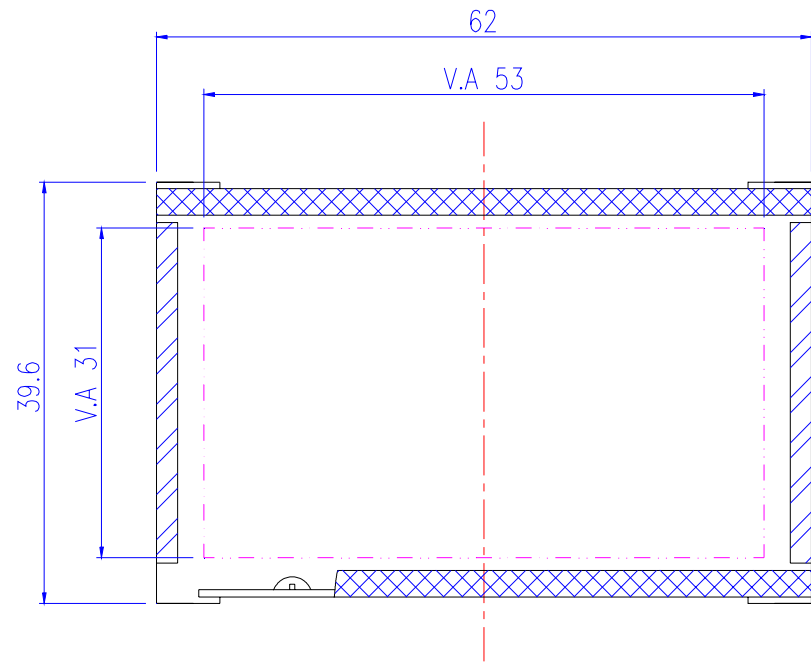


Fig. 29

XBA081M1H2



A=ANODE
C=CATHODE

8 (LED NUMBERS) Blue
8 (LED NUMBERS) Amber

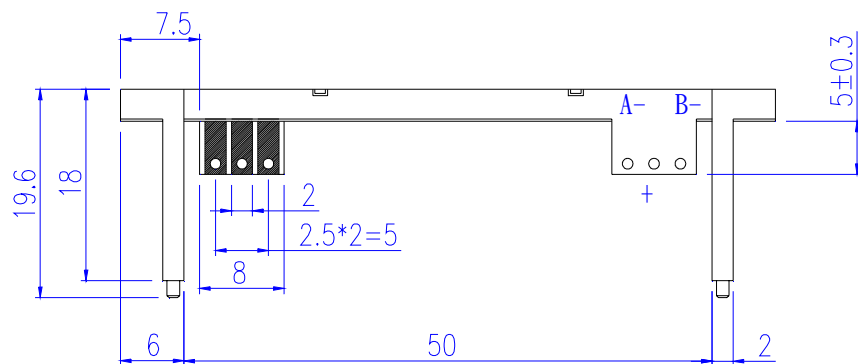


Fig. 30

XBA163M2K1