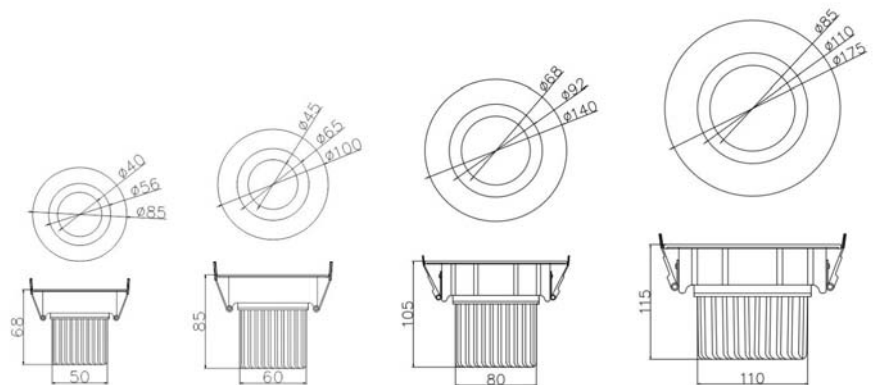


MODEL NO.	SIZE(mm)	CUT HOLE (mm)	POWER (W)	LUMEN (LM)	COLORS	Ra	≥90
SP-05W-03	Φ40*57	Φ35	5	400	GOLDEN / ROSE GOLDEN/ SHINNING BLACK/OUTER WHITE+INNER GOLDEN/IVORY	BEAM ANGLE	38
SP-10W-03	Φ59*82	Φ54	10	800		CCT	W/N/C
SP-15W-03	Φ75*100	Φ68	15	1200		IN-PUT VOLTAGE	85~265V
						MATERIAL	ALUMINUM



MODEL NO.	SIZE(mm)	CUT HOLE (mm)	POWER (W)	LUMEN (LM)	Ra	≥90
SP-06N-R25	φ 85*68	φ 78	6	400	BEAM ANGLE	15 / 24 / 38 / 60
SP-10N-R30	φ 100*85	φ 90	10	800	CCT	W/N/C
SP-15N-R40	φ 140*105	φ 130	15	1200	IN-PUT VOLTAGE	85~265V
SP-20N-R50	φ 175*115	φ 165	20	1600	MATERIAL	ALUMINUM