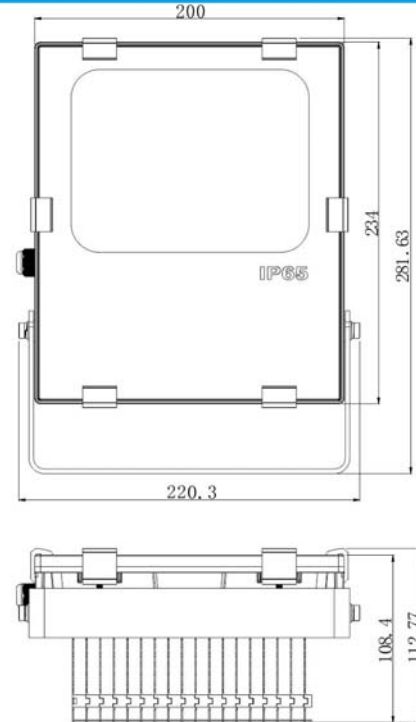
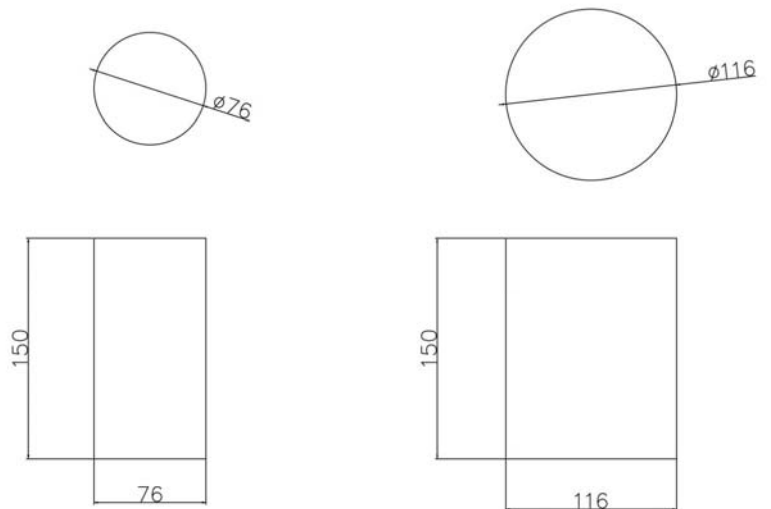


LED FLOOD LIGHT & LED SURFACE LIGHT



MODEL NO.	SIZE(mm)	POWER (W)	LUMEN (LM)	Ra	BEAM ANGLE	CCT	IP	IN-PUT VOLTAGE	MATERIAL
FL-40C-XX	234*200*112	40	5000	≥80	50	W/N/C	IP65	85-265V	ALUMINUM



MODEL NO.	COLORS	POWER (W)	LUMEN (LM)	Ra	BEAM ANGLE	CCT	SIZE (mm)	IN-PUT VOLTAGE	MATERIAL
SF-20W-01-XX	WHITE/BLACK	20	1600	≥90	20	W/N/C	Φ76	85-265V	ALUMINUM
SF-30W-01-XX	WHITE/BLACK	30	3500		38		Φ116		